

# ★ Elite ★

## OWNERS INSTRUCTION MANUAL

142CM/56"

# Aero fan

INSTALLATION  
OPERATION  
MAINTENANCE

## CAUTION

READ INSTRUCTIONS CAREFULLY FOR SAFE  
INSTALLATION AND FAN OPERATION. IF UNSURE CONSULT  
A QUALIFIED ELECTRICIAN

SUITABLE FOR 220-240V/50-60Hz ELECTRICAL SUPPLY

Enquiries on installing your fan please call our help line on

**01959-564440 or email --**

**[technical@fantasiaceilingfans.com](mailto:technical@fantasiaceilingfans.com)**



## **Safety Precautions**

- 1. To ensure the success of the installation be sure to read the instructions and study the diagrams thoroughly before commencing.**
- 2. All electrical work should only be undertaken after disconnection of the power by removing fuses or turning off the circuit breaker to ensure all pole isolation of the electrical supply. If you are in any doubt the services of a qualified electrician should be sought to ensure that all work is carried out in accordance with the I.E.E. Regulations, current good practice and other national and local electrical codes.**
- 3. Make sure that your installation site will not allow the rotating fan blades to come into contact with any object and that there is a minimum clearance of 150mm (6") from the blade tip to the wall or ceiling. Please note that the bigger this clearance is the better the airflow from your fan will be. Ensure the blades are mounted at a minimum height of 2.3 meters (7'6") from the floor when the fan is installed.**
- 4. The fixing point for the fan must be able to support a weight of ten times that of the net weight of the fan. Net weights can be found on the bottom of the unit's box. If you are mounting the fan to a ceiling junction box, the box and it's fixing must be able to support the moving weight of the fan and must not twist or work loose.**
- 5. The fan must be earthed.**
- 6. Do not connect the fan motor to a dimmer switch. This may give an unsatisfactory performance (motor hum) and cause damage to the motor.**
- 7. It is not recommended that ceiling fans and gas appliances are operated in the same room at the same time.**
- 8. After the fan is completely installed make sure that all connections are secure and tight to prevent any problems.**
- 9. Because of the fan's natural movement, some connections may loosen. Check the support connections, brackets and blade attachments twice a year to make sure they are all secure. If they are loose tighten with a screwdriver. ( It is not necessary to take the fan down from the ceiling )**
- 10. This fan is only compatible with Fantasia lighting products. The control system is unsuitable for low energy (CFL) lighting.**
- 11. Do not insert anything into the fan blades while the fan is operating. This will damage the blades and upset the balance of the unit causing the unit to wobble.**

**Note :** The important safeguards and instructions given in this manual are not meant to cover all possible conditions and situations that may occur. It must be understood that common sense, caution and care are factors which cannot be built into any product. These factors must be supplied by the persons caring for and using the unit.

**For installation advice, or in the unlikely event of damaged or missing parts please ring:**

**HELPLINE : 01959 564440**

**E-mail : [technical@fantasiaceilingfans.com](mailto:technical@fantasiaceilingfans.com)**

## Supplied Parts

- One fan motor assembly
- One hanger bracket fitted with terminal block and top rubber washers
- One 8" drop rod & canopy with canopy ring
- One set of blades
- One Coupling cover and washer
- One screw-pack
- One installation booklet.
- One LED light kit
- One transmitter + receiver

## Tools and Materials Required

- Philips screwdriver
- Blade screwdriver
- Small electrical screwdriver
- Electrical pliers
- Step ladders
- Wiring supplies as required by current electrical practice
- Bulbs if a light fitting is fitted / to be fitted
- In-line crimps or other suitable connectors if an extension rod in excess of 760mm (30 inch) is to be fitted.

Before starting the assembly and installation of your fan please ensure the safety precautions have been read and understood.

## Installation Difficulties, Missing or Damaged Parts

If you have any difficulty in installing your fan/light or if you are unfortunate enough to find that your fan has been dispatched with parts missing or damaged please contact our help-line on ( 01959 564440) or email – technical @fantasiaceilingfans.com. We will be very pleased to provide help or forward replacements parts to you immediately.

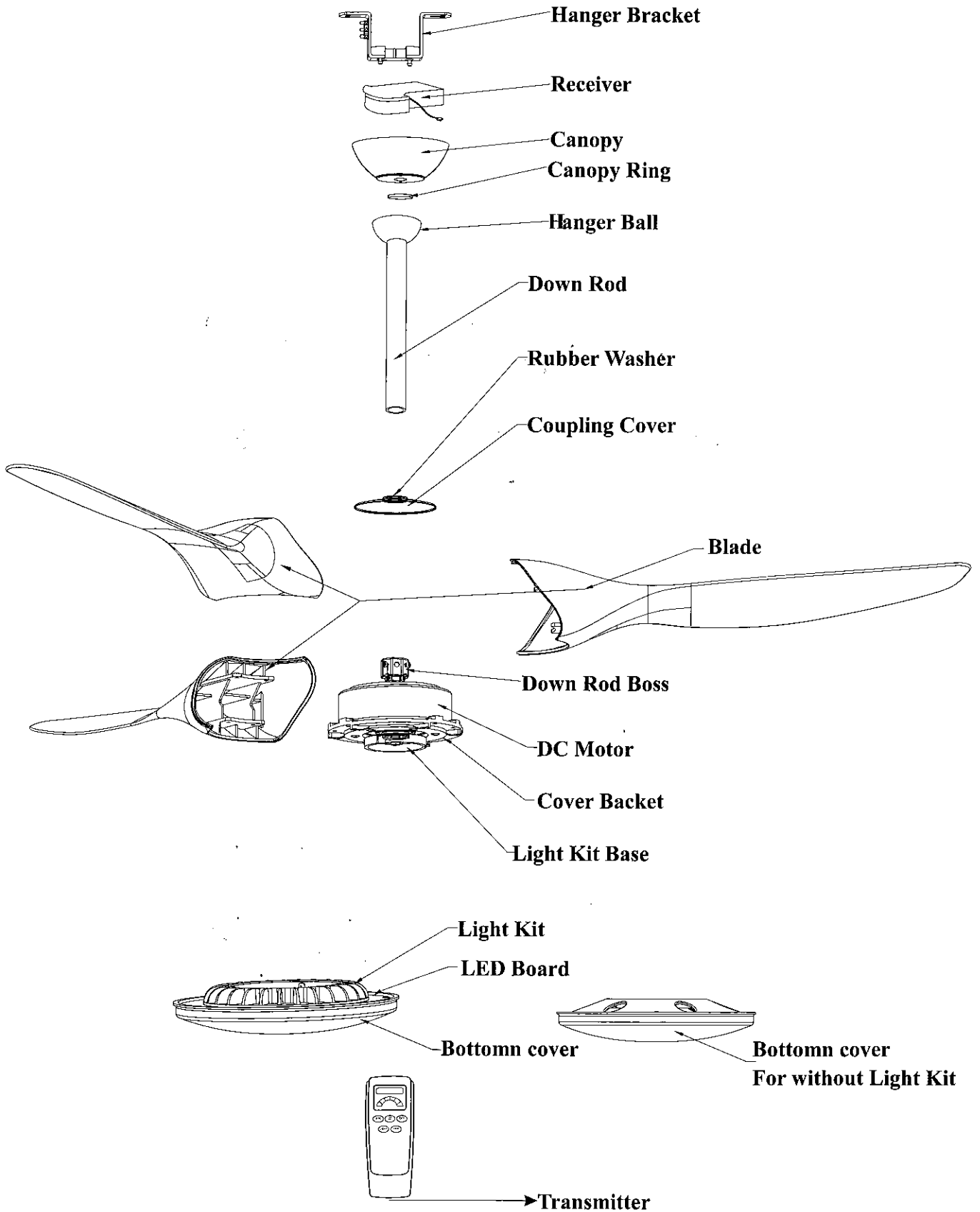
In any communication with us please quote model reference, colour of the unit and the part missing or damaged.

**HELPLINE**

**01959 564440**

**E-mail : [technical@fantasiaceilingfans.com](mailto:technical@fantasiaceilingfans.com)**

# PARTS OVERVIEW



Minor design or otherwise may result in slight variation between the product illustrated and that which is contained within package.

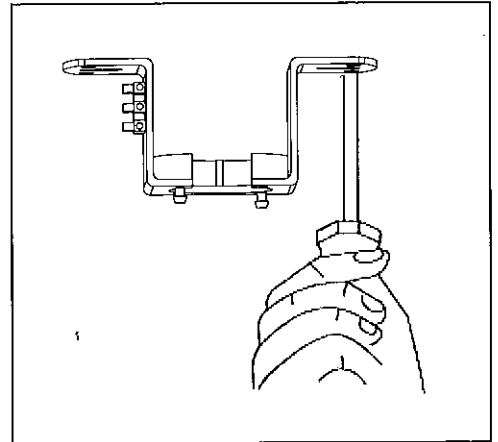
# INSTALLATION INSTRUCTIONS

## INSTALLATION AND ASSEMBLY

**CAUTION :** Before installing the fan make sure you have tured OFF the electricity supply.

### 1. SELECTING A LOCATION:

- 1.1 Choose a location for mounting the fan where the blades will have at least 2.3 metres of clearance from the floor.
- 1.2 Make sure that the installation site will not allow the rotating fan blades to come into contact with any object and that there is a minimum clearance of 150mm(6") from the blade tip to the wall or ceiling. please note that bigger this clearance is the better the airflow from your fan will be.
- 1.3 **DO NOT** use outdoors. Installing the fan in a position where it could be exposed to water or moisture is dangerous.
- 1.4 If the location you have chosen does not have a suitable support beam capable of supporting 45Kg, install a brace 2"x4" between the ceiling joists a support medium.
- 1.5 Secure the hanging bracket to the ceiling joist or suitable structure that is capable of carrying a load of at least 45Kg , with the two long fixing screws provided. Ensure that at least 30mm of the screw is threaded into the support.



**NB:** The fixing screws included are designed for use when ceiling fan is secured onto timber joists. For all other surfaces, additional and suitable fixing screws for that surface will need to be purchased.



Unit B, The Flyers Way,  
Westerham, Kent TN16 1DE

Tel: 01959 564440 Fax: 01959 564829  
info@fantasiaceilingfans.com  
www.fantasiaceilingfans.com

Twitter: @FansByFantasia  
Facebook: facebook.com/FantasiaUK

Thank you for purchasing the Fantasia Aero Ceiling Fan.

A couple of extra tips when for installation:

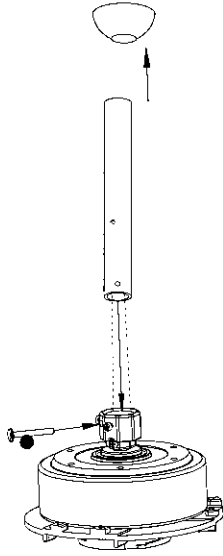
1. The drop rod screws into the top of the motor housing, thread the cable through the rod but remove the ball joint and pin before screwing in the rod. This will stop the cable twisting in the rod as the rod is screwed in.
2. When installing the blades it is important to tighten each one gradually, in a similar way to the nuts on a car wheel. Start by attaching all of the blade loosely and tighten them in stages. This will ensure minimal gap between blades.

We hope you very much enjoy your Aero Ceiling Fan. If you have any questions at all then please contact us on +44 (0)1959 564440.

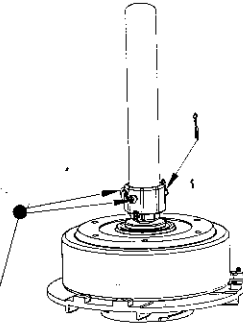
Many Thanks,

The Fantasia Team..

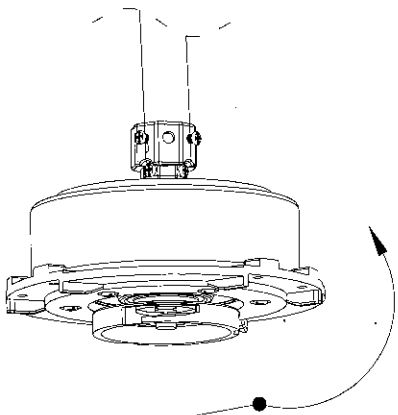
## 2: INSTALLATION SIEP:



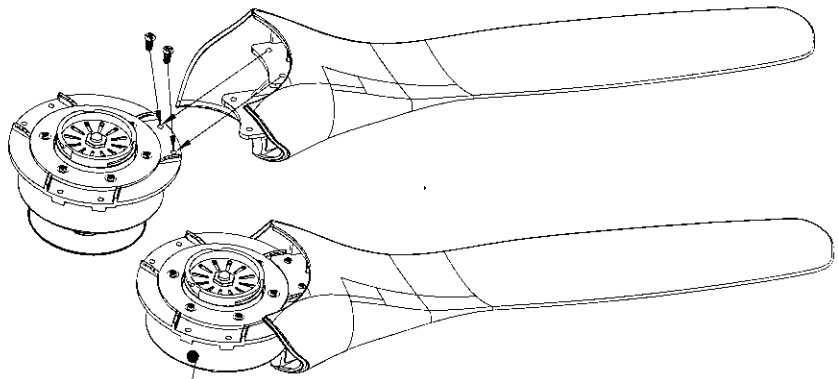
- ① Take out the hanger ball from the down rod, Align the down rod holes with extension down rod holes and insert the bolt.



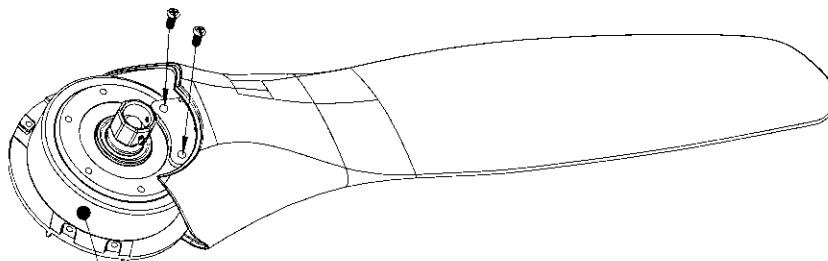
- ② Insert the R pin into the bolt and tighten the screws in the extension down rod.



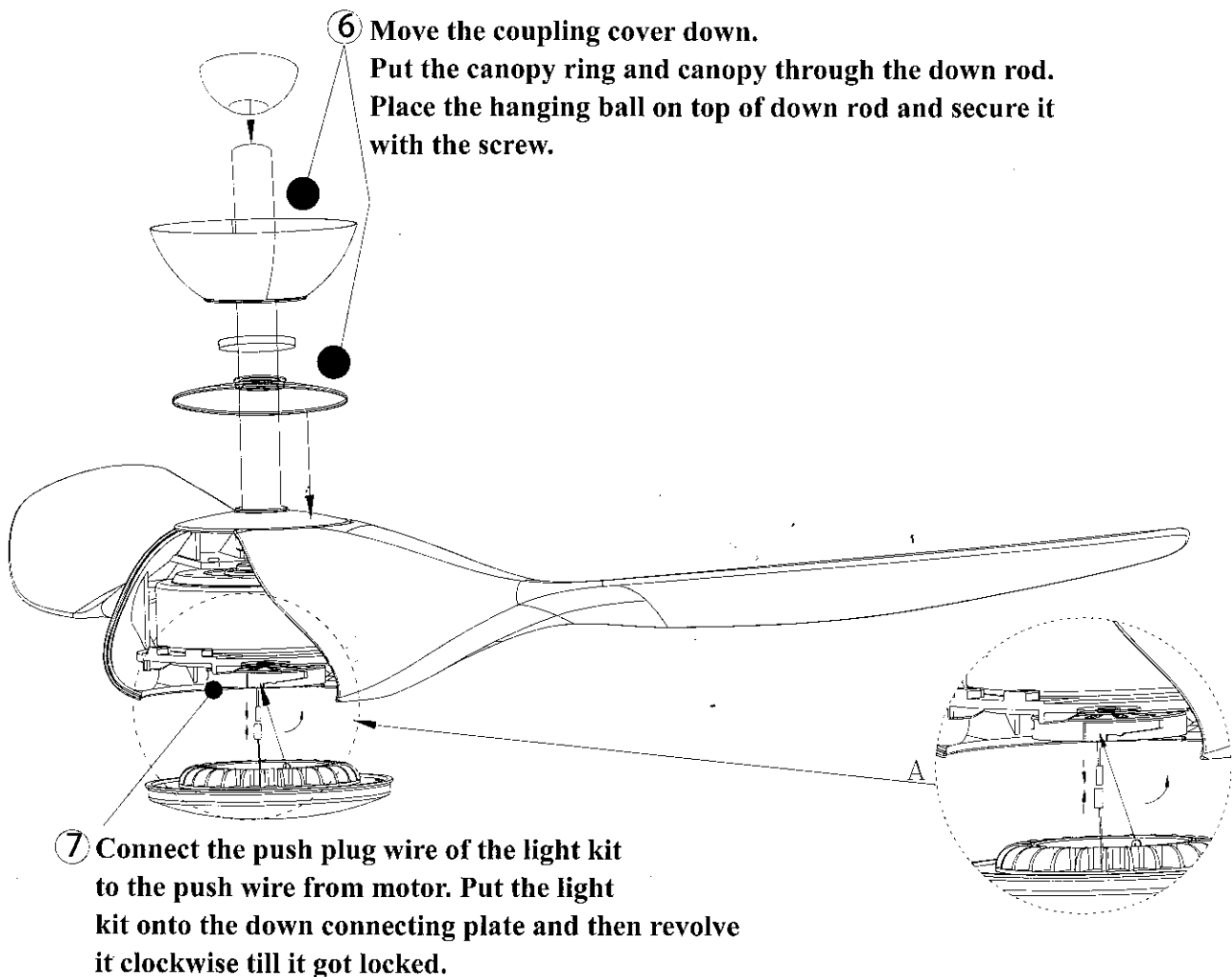
- ③ Place the motor housing upside down.



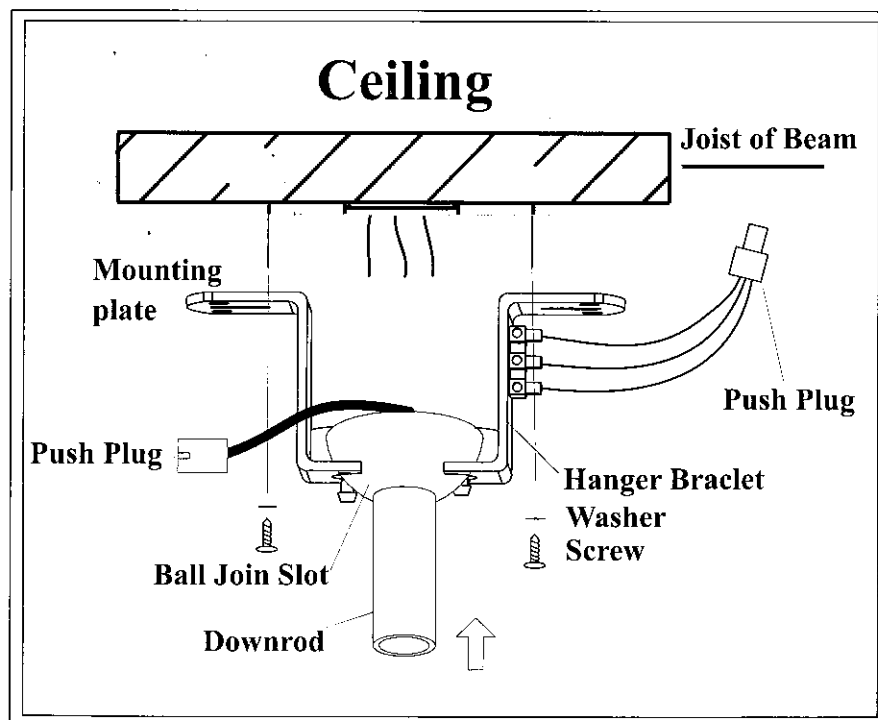
- ④ Align the blade with the screw holes in motor housing. Fix the three blades to lower housing with screw and washer provided. Tighten the screws after aligning the three blades.



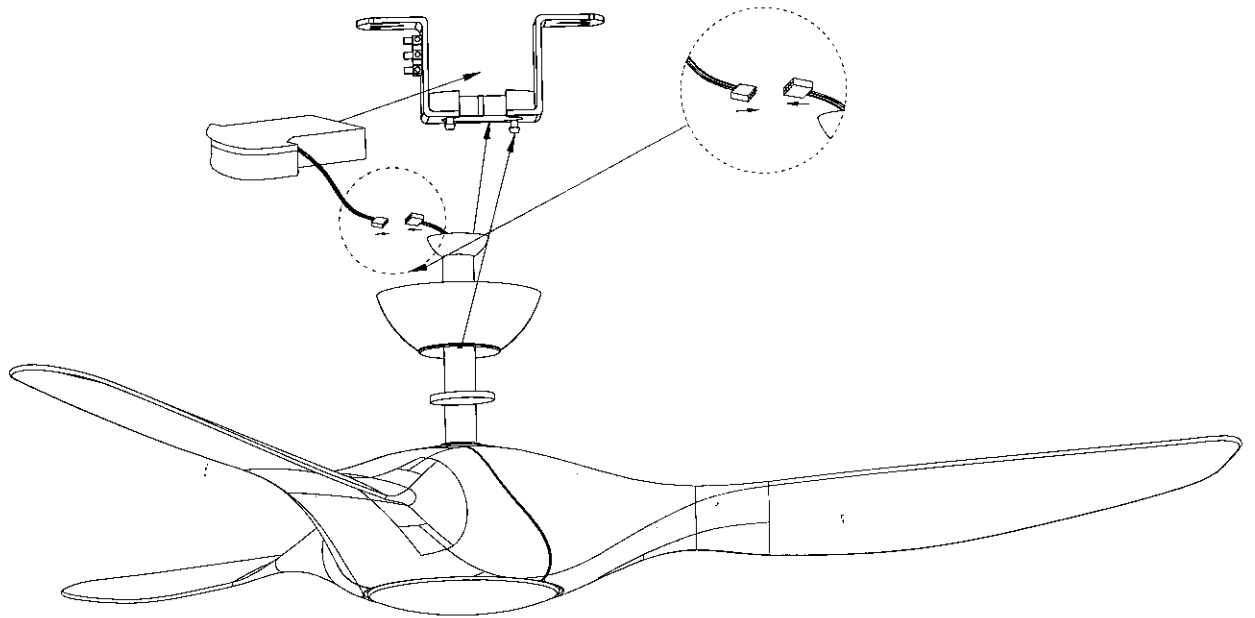
- ⑤ Secure the blade to the upper housing with screw and washer provided.



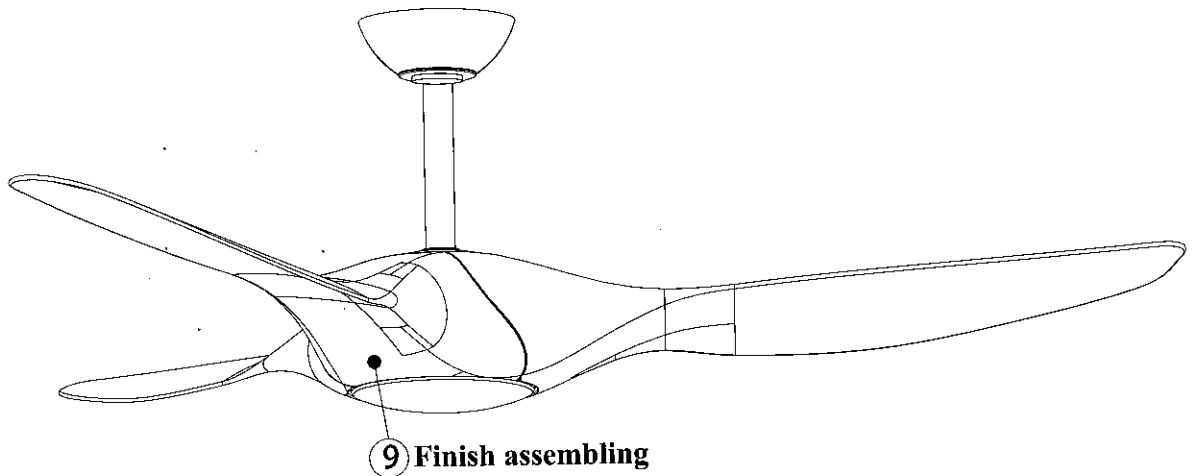
Place the assembled fan into the bracket and make the wiring connection.





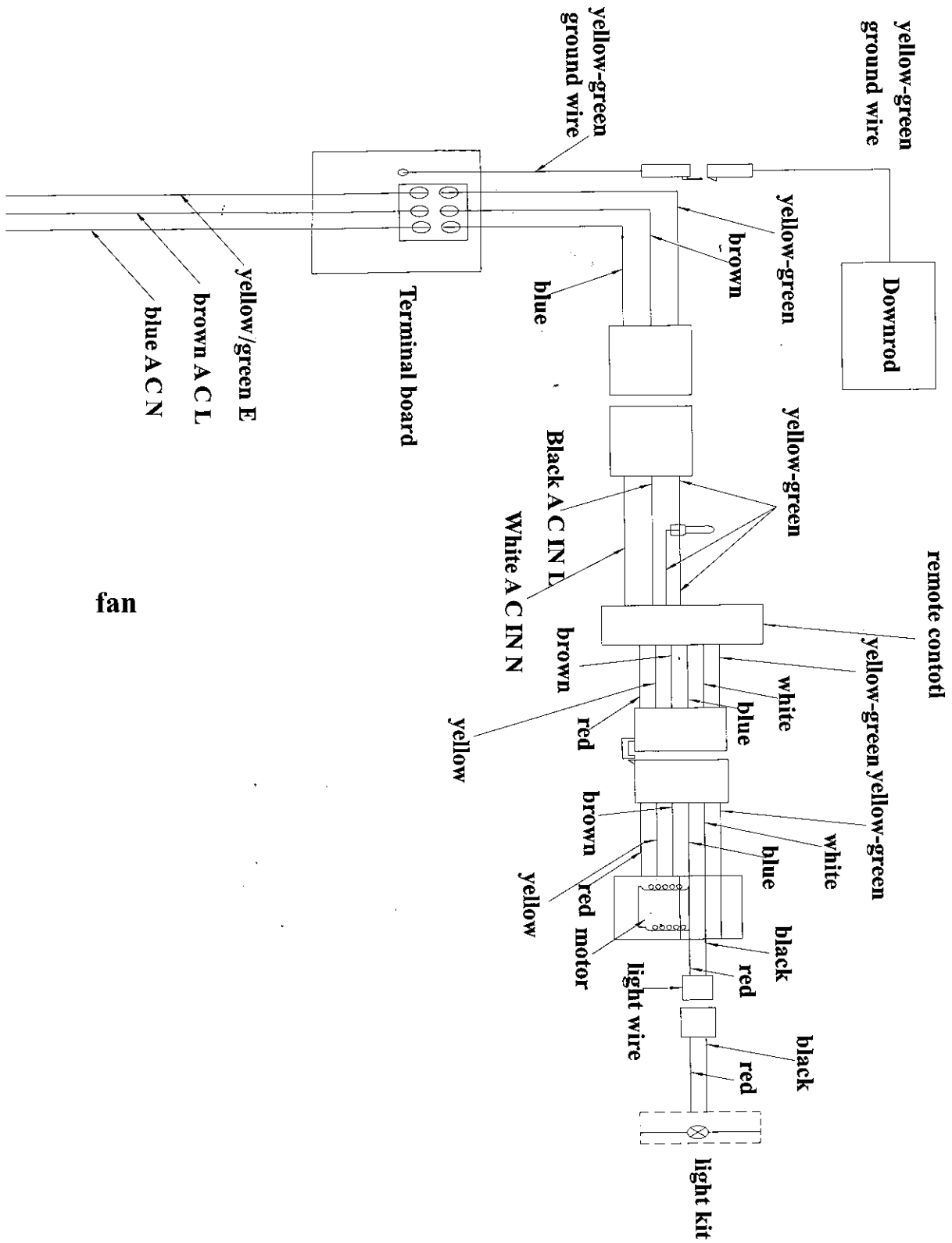


- ⑧ Secure the hanging bracket to the ceiling joist or suitable structure with the four long fixing screws provided. And make the following steps.
- 1) Place the hanging ball of fan into the bracket.
  - 2) Put the receiver on top of the hanging ball and connect the wires.
  - 3) Connect the push plug of the wires from fan to push plug of the wires from receiver.
  - 4) Place the canopy over the bracket and align the canopy holes with the screws and tighten.
  - 5) Place the canopy ring into canopy.



# ELECTRICAL CONNECTIONS :

For your convenience, and to assist in easy installation & cleaning, your ceiling fan is conected with quick connect system. Simply connect the male and female couplings.



# DC Power Remote Control System

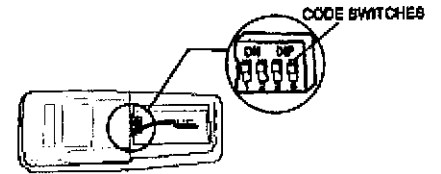


FIG. 1

## Setting Up the System.

The Hand Held Remote Control System is equipped with a learning frequency function which has code combinations to prevent potential interference from other remote control systems or other Radio frequency control products.

Choose your code and use a small tool to change the code switches in the battery compartment of the handset.

Now turn on the power – Your fan will make one beep.

Within 30 seconds of turning the AC power on, push the 'OFF' button of the handset.

Hold the 'OFF' button for over 4 seconds. Once the receiver has received the code it will Beep three times The fan will remain off.

The fan unit is now ready for operation.

Note: After the AC power is turned on, do not push any other button before the 'OFF' or the set up procedure will fail.

## Turning the sound on/off

By default, the sound for the control system is switched on. The sound can be tuned off but only after 45 seconds of the original set up procedure.

To turn the sounds off hold the 'LIGHT' button for over 4 seconds. The system will Beep four times.

To turn the sound back on hold the 'LIGHT' button again for over 4 seconds. . The system will Beep four times

# FUNCTIONS OF TRANSMITTER

## 1.F/R : "F/R" BUTTON

☰ shown on LCD : fan wind direction is up

☷ shown on LCD : fan wind direction is down

## 2. ≈ : "NATURAL FLOW" HI/LOW SPEED SWITCH

≈ shown on LCD : fan automatically change fan speed to make the natural wind

## 3.FAN : 1~6 FAN SPEED(Press this button to select desired speed, there are 6 different fan speed. release the button after setting)



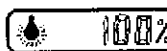
shown on LCD : This symbol is full when the fan in HI speed

## 4.OFF : To turn the fan off



shown on LCD : turn fan off

## 5.LIGHT : To turn on and turn off the light (Light function only for fans with light kit)

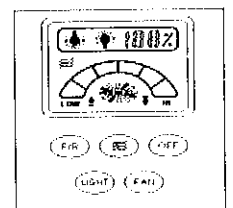


shown on LCD : turn light on



shown on LCD : turn light off

## 6.While Battery power is low as 🔋 shown on LCD, please replace new DC9V battery.



## **Blade balancing**

Whilst every precaution is taken at the factory to ensure your fan is of the highest quality, imbalance may occur. This may be due to slight irregularities in the blades or blade carriers. Further problems can be caused by deviating from these instructions.

The following procedure may help to rectify the situation.

The hanger bracket must always be tight against the ceiling so that no movement can occur.

Make sure that the rod is firmly locked into the boss on top of the fan. The locking screw should be securely tightened.

Check all the blades are firmly tightened on to their carrier brackets.

Check all the carrier brackets are tightened on to the motor firmly.

Blade tracking can easily be checked by holding a yardstick or similar measure vertically from the ceiling to the tip of the blade. Then check all blades measure the same distance from that point. To correct slight problems in the alignment of a blade, gently bend the carrier to bring it back in line.

Changing over two adjacent blades – may correct any imbalance.

Use the universal balancing kit supplied with the fan.

Please note that drop rod styles of fans do have a slight level of movement but this is in no way dangerous.

## **Care and cleaning**

Ensure that periodic checks of the fixings takes place. (see Safety Precaution 9 )

Periodic cleaning of your new Fantasia fan is recommended particularly the blades. The plated or painted surfaces of your fan have been sealed with a lacquer to minimize any discoloration or tarnishing. Therefore use a soft brush or lint free cloth to avoid scratching the surface.

The motor has permanently sealed bearings so no lubrication is necessary

Do not use water when cleaning your fan as this could damage the surfaces of the casing and the blades and may create the possibility of a electric shock.

## Tips from Fantasia

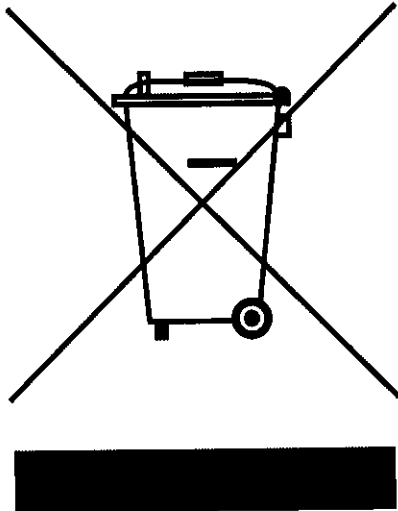
If you have a false ceiling, connect the hanger bracket onto the main structure and use an extension rod to lower the fan below the false ceiling. (Remember to allow adequate clearance for the rotating blades – see Safety Precaution 3).

The hanger bracket can be mounted onto a surface up to 20°. The fan will have to be installed in the drop rod style of mounting for this (Remember to allow adequate clearance for the rotating blades – see Safety Precaution 3).

Do not forget to put the canopy on the rod before connecting the rod onto the fan.

If you are installing more than one fan make sure that you do not mix the fan blade sets.

## Product Disposal Instructions



This product has been classed as Electrical or Electronic Equipment and should not be disposed of with other household or commercial waste at the end of its working life.

The Waste of Electrical and Electronic Equipment (WEEE) Directive (2002/96/EC) has been put in place to recycle products using best available practice and minimize the impact upon the environment.

## **Ceiling Fan Warranty.**

You must have the original purchase receipt or bill of sale to make a warranty claim. No claim will be accepted unless proof of date of purchase is available at the time of making the warranty claim.

### **Ceiling Fan Warranty Period.**

The ceiling fan itself, excluding accessories such as the Remote Control Transmitter and Receiver, is covered by a 15 year warranty. During this period, Fantasia Distribution Ltd will, at its discretion, repair or replace defective product. During this 15 years, the owner is responsible for labour costs incurred in removing and re-installing the fan, and for transport costs to Fantasia Distribution Ltd's repair centre. Return freight will be paid by Fantasia Distribution Ltd. The cost of obtaining or using special access equipment (scissor lifts, scaffolding etc.) is specifically excluded, and it is the responsibility of the owner to provide such equipment and have it safely installed and operated.

### **Remote Control Warranty Period.**

Fantasia Distribution Ltd's Remote Control Receivers and Transmitters (Handsets) are covered by a 2 year repair or replacement warranty

### **Balance of Warranty on Repaired or Replaced Products.**

Any replaced or repaired product is covered only by the balance of the warranty remaining on the original article.

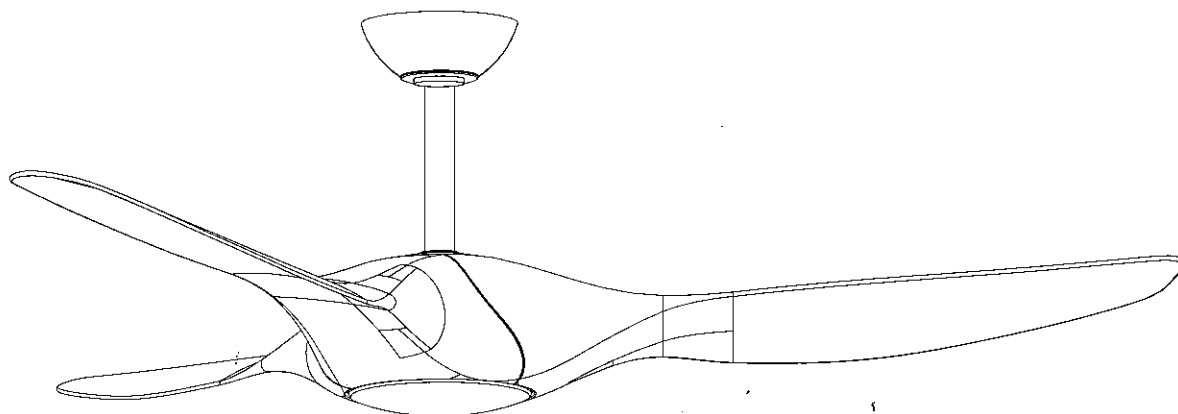
### **Transfer of Warranty.**

If the dwelling where the fan or remote control is installed changes hands, the balance of the warranty passes to the new owner, providing the original bill of sale for the product is retained by the new owner.

Warranty for the fan does not cover damage to the fan if it is moved from one dwelling to another during the warranty period. The warranty is voided in total if the product is sold as second hand goods.

### **The following is NOT covered by warranty.**

1. Any damage incurred after delivery to the owner that is not caused by a fault in the products materials or workmanship; damage from lightning or power surges; incorrect installation; damage due to incorrect installation; water damage of any kind; installation or use outdoors; damage arising from connection to or use with alternative power systems (e.g. inverters, solar, etc.).
2. Ceiling fans not installed by a qualified electrician.
3. Repair of a ceiling fan used incorrectly, accidentally damaged, modified in any way or not serviced in accordance with the maintenance instructions.
4. The cost of transporting and insuring the ceiling fan between the nearest Fantasia Distribution Ltd agents' service depot and its normal location.  
These costs must be met by the purchaser
5. Subject to any statutory provisions to the contrary, claims for damage to furniture, carpet, walls, ceilings, foundations or any other consequential loss either directly or indirectly resulting from a faulty ceiling fan.
6. Ceiling Fans not purchased and installed in Mainland UK.
7. A service fee will be charged where; there is nothing wrong with the ceiling fan or; the defective operation of the ceiling fan is due to failure of electricity or; the installation is not in accordance with Fantasia Distribution Ltd instructions and/or applicable local regulations or; the defects have been caused by incorrect application or abuse of the ceiling fan or; the damage has been caused by unauthorized persons attempting to repair the fan.



142cm/56" -

# Aero Fan

Please cut out this warranty page and send it in an envelope to the address below.

Alternatively please go to our website [www.fantasiaceilingfans.com](http://www.fantasiaceilingfans.com) and fill in the warranty section there.

**FANTASIA DISTRIBUTION LTD.**

**Unit B. The Flyers Way, Westerham, Kent, TN16 1DE**

**Tel : (01959) 564 440 Fax : (01959) 564 829**

**E-MAIL: [info@fantasiaceilingfans.com](mailto:info@fantasiaceilingfans.com)**