



Fantasia ★ **Elite** ★

OWNERS INSTRUCTION MANUAL

142CM/56"

Angel

**INSTALLATION
OPERATION
MAINTENANCE**

CAUTION

**READ INSTRUCTIONS CAREFULLY FOR SAFE
INSTALLATION AND FAN OPERATION. IF UNSURE CONSULT
A QUALIFIED ELECTRICIAN**

**SUITABLE FOR 230V/50 CYCLE ELECTRICAL SUPPLY
Enquiries on installing your fan please call our help line on**

01959-564440

**E-mail :
technical@fantasiaceilingfans.com**

 **Fantasia**  **Fantasia**  **Fantasia**  **Fantasia**  **Fantasia**  **Fantasia**  **Fantasia**  **Fantasia**

Safety Precautions

1. To ensure the success of the installation be sure to read the instructions and study the diagrams thoroughly before commencing.
2. All electrical work should only be undertaken after disconnection of the power by removing fuses or turning off the circuit breaker to ensure all pole isolation of the electrical supply. If you are in any doubt the services of a qualified electrician should be sought to ensure that all work is carried out in accordance with the I.E.E. Regulations, current good practice and other national and local electrical codes.
3. Make sure that your installation site will not allow the rotating fan blades to come into contact with any object and that there is a minimum clearance of 150mm (6") from the blade tip to the wall or ceiling. Please note that the bigger this clearance is the better the airflow from your fan will be. Ensure the blades are mounted at a minimum height of 2.3 meters (7'6") from the floor when the fan is installed.
4. The fixing point for the fan must be able to support a weight of ten times that of the net weight of the fan. Net weights can be found on the bottom of the unit's box. If you are mounting the fan to a ceiling junction box, the box and it's fixing must be able to support the moving weight of the fan and must not twist or work loose.
5. The fan must be earthed.
6. Do not connect the fan motor to a dimmer switch. This may give an unsatisfactory performance (motor hum) and cause damage to the motor.
7. It is not recommended that ceiling fans and gas appliances are operated in the same room at the same time.
8. The fan must be turned off and stopped completely before reversing the fan direction. This will prevent any damage to the motor of the unit or controller (if installed).
9. Do not insert anything into the fan blades while the fan is operating. This will damage the blades and upset the balance of the unit causing the unit to wobble.
10. After the fan is completely installed make sure that all connections are secure and tight to prevent any problems.
11. Because of the fan's natural movement, some connections may loosen. Check the support connections, brackets and blade attachments twice a year to make sure they are all secure. If they are loose tighten with a screwdriver. (It is not necessary to take the fan down from the ceiling)

Note : The important safeguards and instructions given in this manual are not meant to cover all possible conditions and situations that may occur. It must be understood that common sense, caution and care are factors which cannot be built into any product. These factors must be supplied by the persons caring for and using the unit.

For installation advice, or in the unlikely event of damaged or missing parts, please ring our help no. or send a e-mail to us:

HELPLINE : 01959 564440
E-mail : technical@fantasiaceilingfans.com

Supplied Parts

- One fan motor assembly
- One hanger bracket fitted with terminal block and top rubber washers
- One drop rod & canopy
- One set of acrylic blade
- One screw-pack
- One installation booklet & optical clothes
- One Remote Control Set
- One glass
- Two 60W G9 bulb

Tools and Materials Required

- Philips screwdriver
- Blade screwdriver
- Small electrical screwdriver
- Electrical pliers
- Step ladder
- Wiring supplies as required by current electrical practice
- Bulbs if a light fitting is fitted / to be fitted
- In-line crimps or other suitable connectors if an extension rod in excess of 760mm (30 inch) is to be fitted.

Before starting the assembly and installation of your fan please ensure the safety precautions have been read and understood.

Installation Difficulties, Missing or Damaged Parts

If you have any difficulty in installing your fan/light or if you are unfortunate enough to find that your fan has been dispatched with parts missing or damaged please contact our help-line on (01959 564440) or send a e-mail with following mail address. We will be very pleased to provide help or forward replacements parts to you immediately.

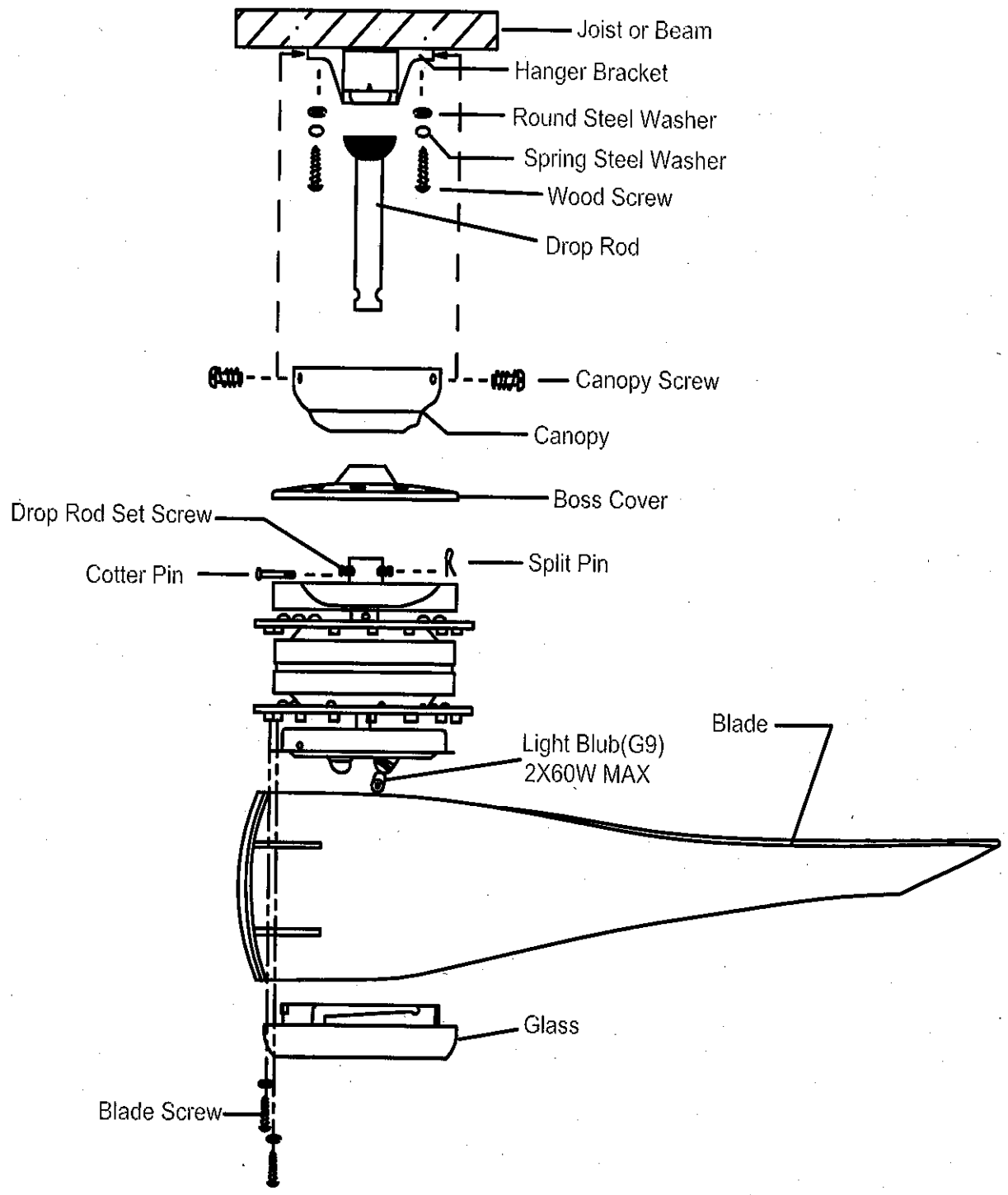
In any communication with us please quote model reference, colour of the unit and the part missing or damaged.

HELPLINE

01959 564440

E-mail : technical@fantasiaceilingfans.com

Parts list

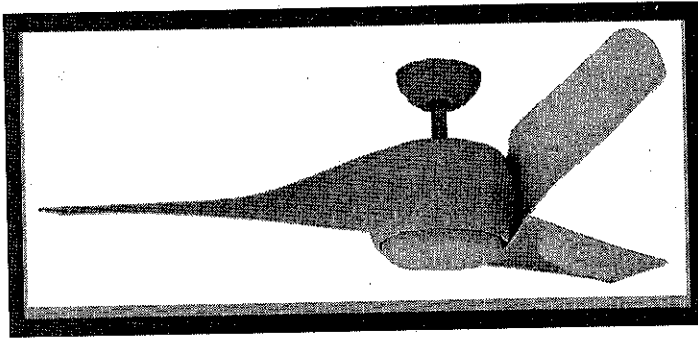


Installing the fan

All electrical work should only be undertaken after disconnection of the power by removing fuses or turning off the circuit breaker to ensure all pole isolation of the electrical supply.

Your fan can only be installed drop rod style, in this situation the drop rod assembly is used to lower the fan down from it's mounting position slightly. Extension rods, ranging from 12" to 72" (your fan is supplied with 6" Drop rod in the box), are available if you need to lower your fan further. (This is normally the case in conservatories or rooms with very high ceilings.)

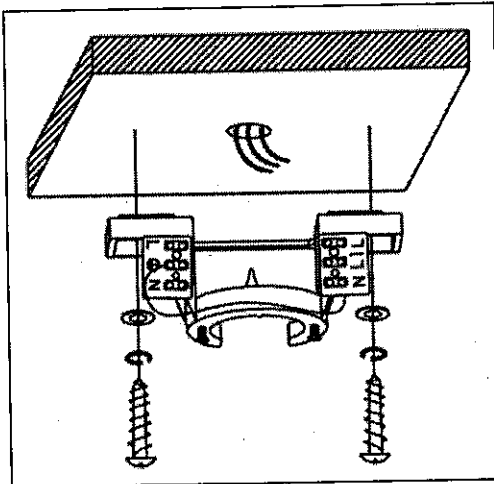
Rods can be trimmed if necessary. If trimming is required cut excess from the bottom of the rod and re-drill a hole for the cotter pin.



The following steps will guide you to a successful installation:

1. Hanging bracket installation
2. Down rod assembly style
3. Wiring instructions (install remote control)
4. Attaching the blades to the fan
5. Attaching glass to the fan

1. Hanger bracket installation

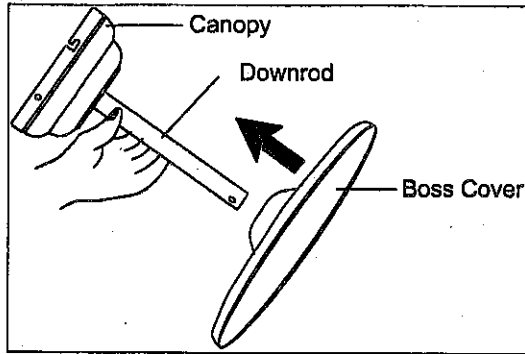


The hanger bracket should be screwed on to a firm flat surface. The fixing location must be able to withstand ten times the static weight of the fan. If you have any doubts as to the ability of your intended fixing location to be able to withstand this loading, please contact our service help-line or another competent authority to advise you. In most situation two wood screws screwed into a wooden joist is more than adequate to support your ceiling fan

The hanger bracket should be screwed onto the joist with the two wood screws provided. The washers provided should go in the following sequence:

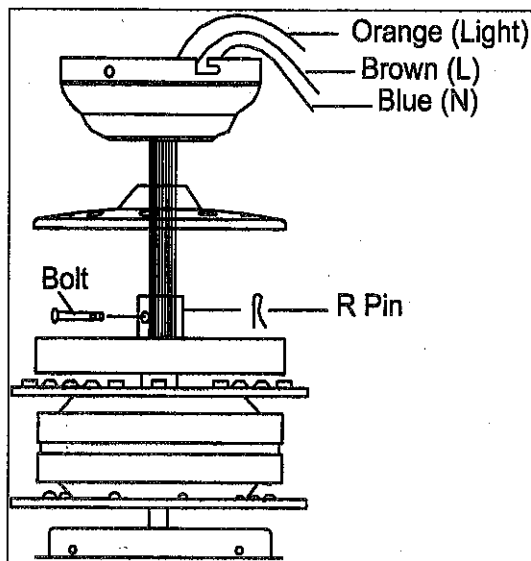
Screw head > Steel round washer > Black rubber round washer > Hanger bracket > Ceiling. Screw the hanger bracket to the ceiling and make sure all connections are secure to prevent the fan from falling . Fixings must screw into a joist and not just the plasterboard. Loosen the two canopy screws from the hanger bracket.

2. Drop rod assembly



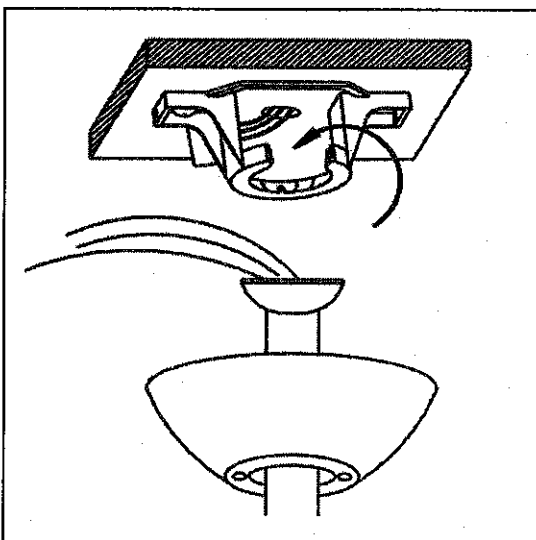
Remove the cotter pin and split pin from the bottom of the drop rod. If a longer drop rod is going to be used transfer the ball joint to the longer rod.

Put the drop rod through the flared end of the canopy and boss cover and pass the electrical supply leads from the top of the motor through the drop rod until they exit at the top of the ball joint. Always ensure the rod passes through the canopy before the rod is connected to the fan. If an extension longer rod than 30 inches is to be used, the cables will need to be extended in an appropriate way.



Loosen the drop rod set screws on the boss, which is on top of the motor and insert the drop rod into the drop rod boss on top of the motor casing. Turn gently to align the holes in the boss with those in the rod. Ease the cotter pin through the boss and the rod taking care not to pinch or damage any cables. Fix in place by replacing the split pin.

Tighten all set screws at this point. This prevents the rod and the fan moving in relation to one and other. It also assists in maintaining a good earth continuity through the fan, which is important to the safety of the unit. Failure to tighten the locking screws down may cause the motor to oscillate badly.



Once the drop rod assembly has been fitted-

Lift the fan up to the hanger bracket, Steer the ball in from the side of the bracket and lower it into the recess of the bracket. Rotate the ball around until the groove in the side of the ball aligns with the protrusion on the upper edge of the recess. When aligned the fan should drop slightly as it assumes it's correct position. This is to prevent rotation of the rod and fan when the unit is working.

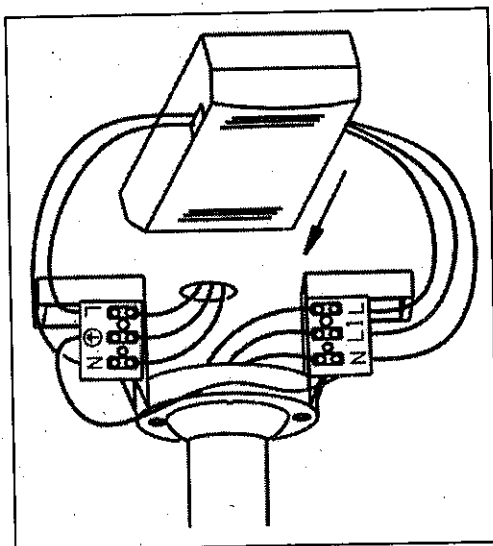
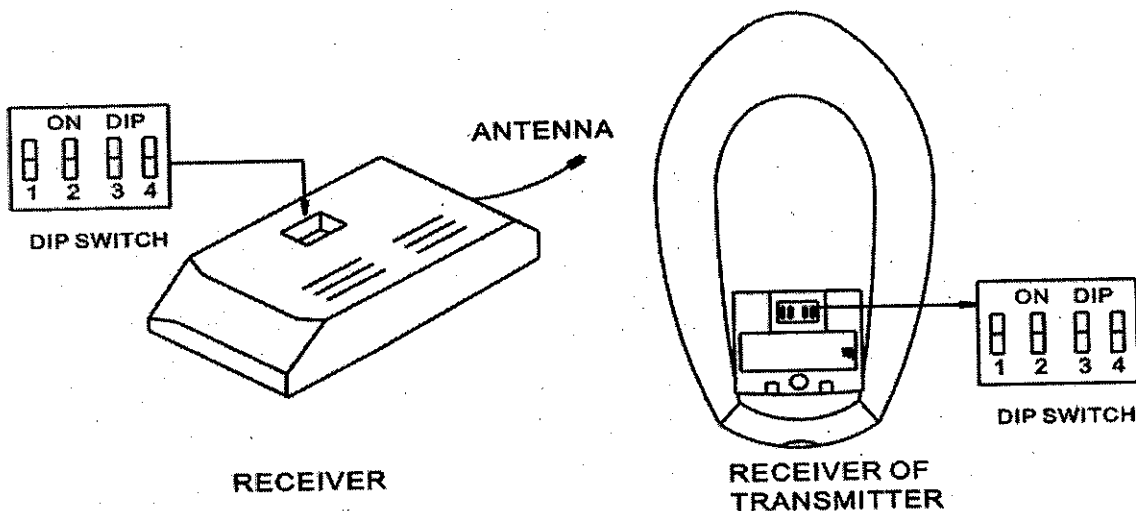
Connect the wiring of remote control as shown in the following wiring instructions.

3. Remote control and Wiring instructions

WIRING INSTRUCTIONS : Before doing wiring, ensure that you have all pole disconnection of the electricity supply.

Your fan is supplied with a radio frequency remote control unit, and the fan does not have a pull switch for speed control, the fan can only be controlled by remote control. You can find the unit in the box. Before connecting the wiring, please set up the code of remote control.

CODE SWITCH: Codes are set by pushing dip switches up or down. It is imperative that the code used for both transmitter and receiver is exactly the same, otherwise the remote control will not work. Please note the code switch will enable you to operate a second remote controller independently. For example, if you have two ceiling fans with 2 remote control units, set 2 different codes for each set of transmitter/receivers. This means you can operate each ceiling fan independently. Please see following drawing.



Put the receiver of remote control through hanger bracket (as picture).

Connect the A.C. power supply wire that come from the ceiling to the Brown and blue wire of receiver which is mark with label "L" & "N". In most cases, BROWN/RED wire is LIVE is connected to "L" BROWN wire, BLUE / BLACK wire is NEUTRAL is connected to "N" BLUE wire. GREEN/YELLOW wire is EARTH.

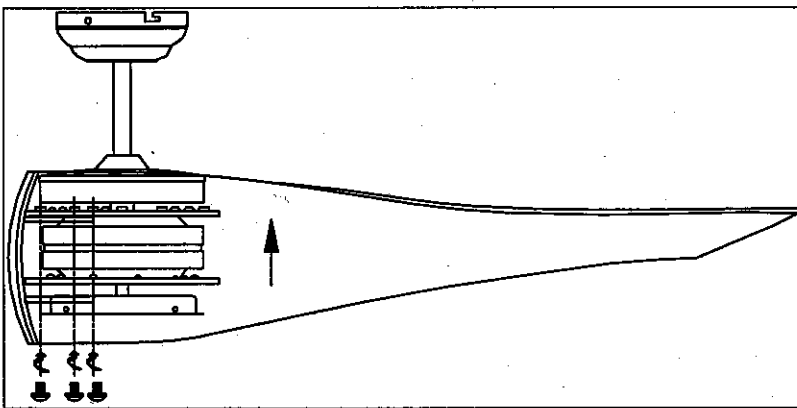
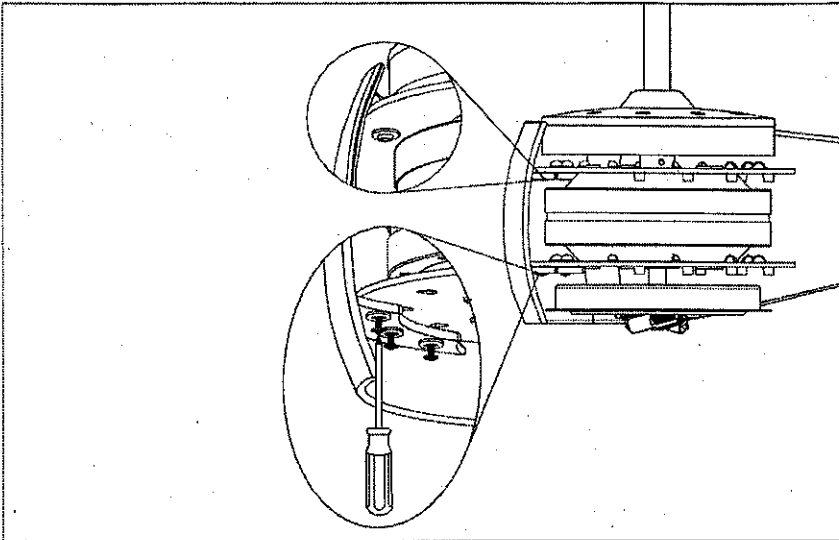
Connect three of the four wires coming from the fan to the three wires coming from the output side of the remote. Brown to Brown, Blue to Blue and Orange to Orange. The Earth wire connects to the rest of the Earth Wires.

BRN TO BROWN (Live wire of fan)
GRN/YEL TO GRN/YEL (Earth wire)

BLUE TO BLUE (Neutral wire of fan)

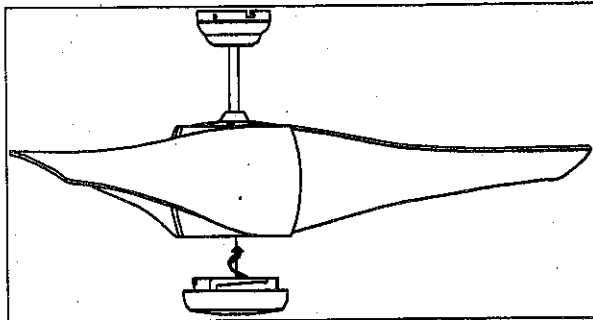
IMPORTANT : THIS APPLIANCE MUST BE EARTHED.

4. Attaching the Blades to the Fan



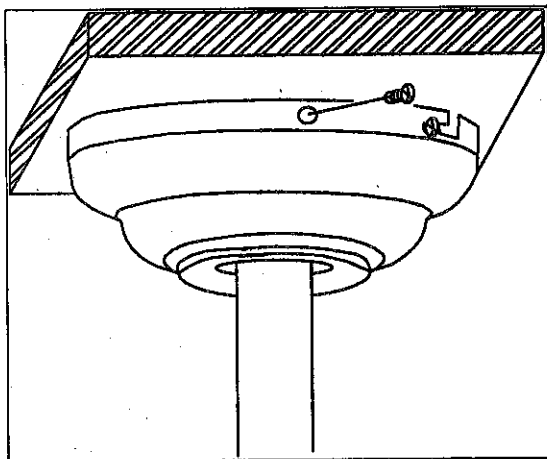
1. Identify the 3 sets of locating lugs on the upper fan blade mounting plate on motor assembly for each fan blade.
2. Line up 1 set of the locating lugs on the under side of the upper mounting with the holes on the top of the blade.
3. Push the blade in an upward motion to secure the top section of the fan blade to the upper mounting plate, the lower section of the fan blade should now be flush with the lower fan blade mounting plate.
4. Ensure the screw holes on the lower fan blade mounting plate are lined up holes in the lower part of the fan blade, insert the fan blade screws with washers on and tighten.
5. Repeat this process for all blades.

5. Attaching the glass to the Fan



Your fan is supplied with Two halogen light bulbs G9 60W, install the G9 bulb to socket after blade installation finished, then put the glass up to fitter and twist it tight

After connecting all the wire and assembly the blades and light kit, it is a good time to test that the fan and remote control operates correctly. Turn on the power and use the transmitter to Control your fan, checking the fan speeds are worked properly.



Once the cables of the fan have been connected and all the functions are worked properly.

Offer the canopy up to the hanger bracket and put all the wires carefully into canopy. Insert the screws in the hanger bracket, tighten all the screws to ensure a good safe fixing.

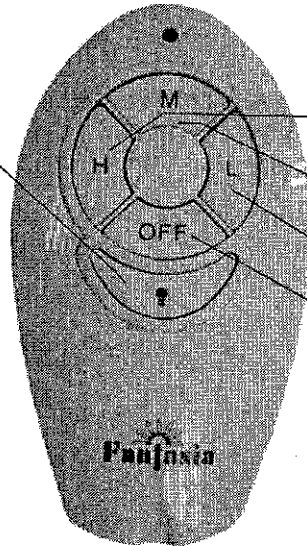
HOW TO OPERATE THE HANDSET (TRANSMITTER)

The wireless remote control is designed to control all commonly used features except the airflow upward and downward reversing function. The reverse switch is on the fan housing (a slide switch). Please change the airflow direction manually.

LIGHT CONTROL BUTTON

LIGHT:

1. Turn Light ON/OFF
press this button and release instantly to turn on and off fan light.
2. Dimming the light
press this same button and hold to dim or brighten lights to the desired level and release



FAN CONTROL BUTTON

- H** — Turn on ceiling fan at HIGH speed.
- M** — Turn on ceiling fan at MEDIUM speed.
- L** — Turn on ceiling fan at LOW speed.
- OFF** — Turn the ceiling fan power off .

The battery should be changed to a new one.

Battery Replacement:
12V Battery

NOTE :

1. Please allow a moment between each operation.
2. Please handle the transmitter with care, be sure not to drop or expose it to water, high humidity or place where is too close to a heating element. Improper handling may result in malfunction and void the warranty.
3. The remote control is operated by Radio Frequency, so, it won't be necessary to point this unit at the ceiling fan while activating the handset functional button.

Blade balancing

Whilst every precaution is taken at the factory to ensure your fan is of the highest quality, imbalance may occur. This may be due to slight irregularities in the blades or blade carriers. Deviating from these instructions can cause further problems.

The following procedure may help to rectify the situation.

The hanging bracket must always be tight against the ceiling so that no movement can occur.

Make sure that the rod is firmly locked into the boss on top of the fan. The locking screw should be securely tightened.

Check all the blades are firmly tightened on to their carrier brackets.

Check all the carrier brackets are tightened on to the motor firmly.

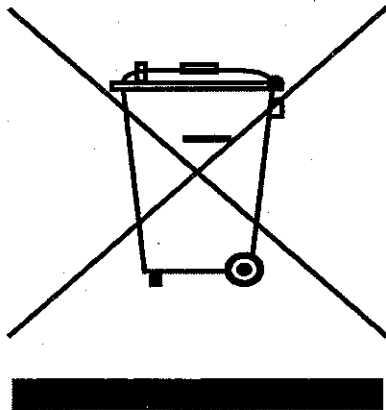
Blade tracking can easily be checked by holding a yardstick or similar measure vertically from the ceiling to the tip of the blade. Then check all blades measure the same distance from that point. To correct slight problems in the alignment of a blade, gently bend the carrier to bring it back in line.

Changing over two adjacent blades – may correct any imbalance.

Use the universal balancing kit supplied with the fan.

Please note that drop rod styles of fans do have a slight level of movement but this is in no way dangerous.

Product Disposal Instructions



This product has been classed as Electrical or Electronic Equipment and should not be disposed of with other household or commercial waste at the end of its working life.

The Waste of Electrical and Electronic Equipment (WEEE) Directive (2002/96/EC) has been put in place to recycle products using best available precise and minimize the impact upon the environment.

Ceiling Fan Warranty.

You must have the original purchase receipt or bill of sale to make a warranty claim. No claim will be accepted unless proof of date of purchase is available at the time of making the warranty claim.

Ceiling Fan Warranty Period.

The ceiling fan itself, excluding accessories such as the Remote Control Transmitter and Receiver, is covered by a 15 year warranty. During this period, Fantasia Distribution Ltd will, at its discretion, repair or replace defective product. During this 15 years, the owner is responsible for labour costs incurred in removing and re-installing the fan, and for transport costs to Fantasia Distribution Ltd's repair centre. Return freight will be paid by Fantasia Distribution Ltd. The cost of obtaining or using special access equipment (scissor lifts, scaffolding etc.) is specifically excluded, and it is the responsibility of the owner to provide such equipment and have it safely installed and operated.

Remote Control Warranty Period.

Fantasia Distribution Ltd's Remote Control Receivers and Transmitters (Handsets) are covered by a 2 year repair or replacement warranty

Balance of Warranty on Repaired or Replaced Products.

Any replaced or repaired product is covered only by the balance of the warranty remaining on the original article.

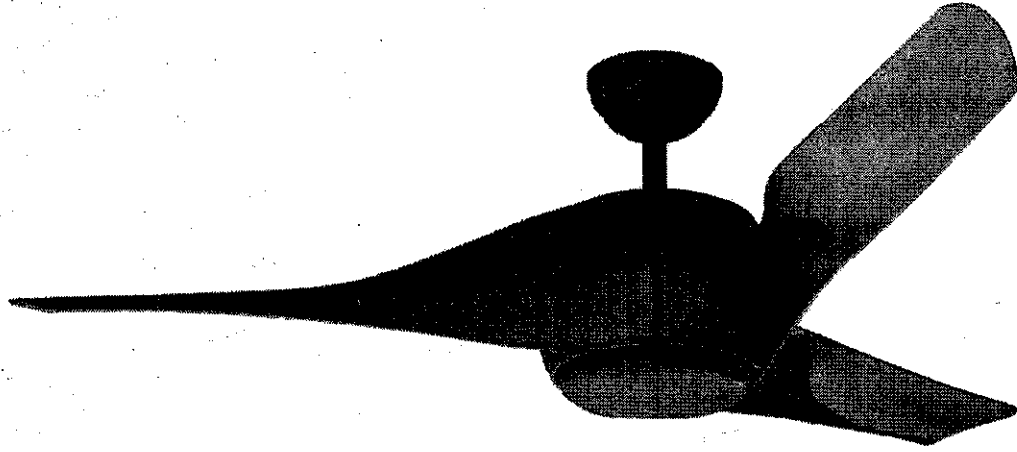
Transfer of Warranty.

If the dwelling where the fan or remote control is installed changes hands, the balance of the warranty passes to the new owner, providing the original bill of sale for the product is retained by the new owner.

Warranty for the fan does not cover damage to the fan if it is moved from one dwelling to another during the warranty period. The warranty is voided in total if the product is sold as second hand goods.

The following is NOT covered by warranty.

1. Any damage incurred after delivery to the owner that is not caused by a fault in the products materials or workmanship; damage from lightning or power surges; incorrect installation; damage due to incorrect installation; water damage of any kind; installation or use outdoors; damage arising from connection to or use with alternative power systems (e.g. inverters, solar, etc.).
2. Ceiling fans not installed by a qualified electrician.
3. Repair of a ceiling fan used incorrectly, accidentally damaged, modified in any way or not serviced in accordance with the maintenance instructions.
4. The cost of transporting and insuring the ceiling fan between the nearest Fantasia Distribution Ltd agents' service depot and its normal location.
These costs must be met by the purchaser
5. Subject to any statutory provisions to the contrary, claims for damage to furniture, carpet, walls, ceilings, foundations or any other consequential loss either directly or indirectly resulting from a faulty ceiling fan.
6. Ceiling Fans not purchased and installed in Mainland UK.
7. A service fee will be charged where; there is nothing wrong with the ceiling fan or; the defective operation of the ceiling fan is due to failure of electricity or; the installation is not in accordance with Fantasia Distribution Ltd instructions and/or applicable local regulations or; the defects have been caused by incorrect application or abuse of the ceiling fan or; the damage has been caused by unauthorized persons attempting to repair the fan.



142cm/56"

Angel

Please cut out this warranty page and send it in an envelope to the address below.

Alternatively please go to our website www.fantasiaceilingfans.com and fill in the warranty section there.

**FANTASIA DISTRIBUTION LTD.
Unit B. The Flyers Way, Westerham, Kent, TN16 1DE
Tel : (01959) 564 440 Fax : (01959) 564 829
E-MAIL: info@fantasiaceilingfans.com**