

COMMERCIAL FAN OWNERS INSTALLATION INSTRUCTIONS

MODEL REF.

111870, 111887, 111894

CAUTION

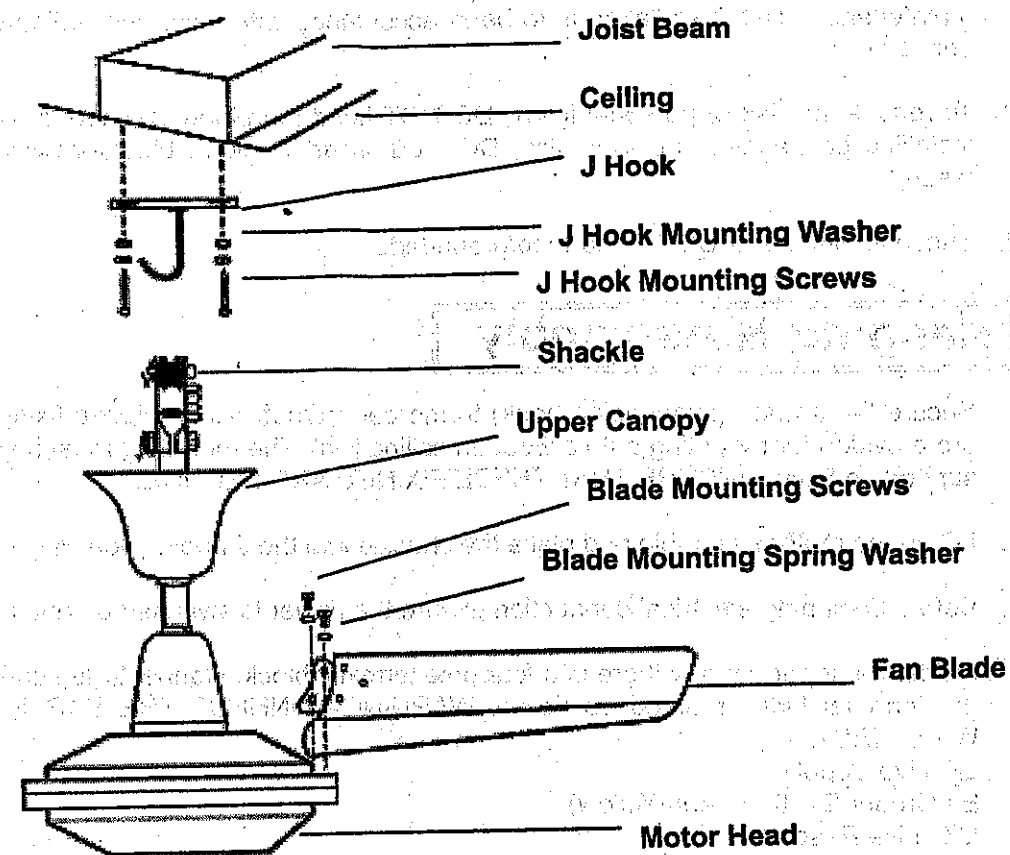
READ INSTRUCTIONS CAREFULLY FOR SAFE
INSTALLATION AND FAN OPERATION IF UNSURE
CONSULT A QUALIFIED ELECTRICIAN

SUITABLE FOR 230V/50 CYCLE ELECTRICAL SUPPLY
Enquiries on installing your fan please call our help line on
01959-564440

Caution

1. Installation work and wiring must conform to current IEE regulations (UK) or appropriate local regulations (other countries) and MUST BE DONE BY A QUALIFIED ELECTRICIAN.
2. Remove fan from carton carefully and check for shipping damage. Check blades for bends and dents. In case assistance is required please contact GLOBAL.
3. The mounting plate (J hook) must be secured to a ceiling joist that is capable of supporting a minimum of 80kgs (176lbs)
4. The fan blades must be a minimum of 2.5 meters (98") from the floor.
5. Check that the supply voltage corresponds to the rated voltage on the motor of the fan you have selected
6. Do not install the fan close to the door entrance. Ensure at least 1m (3ft) distance from the end of the blades.
7. If you intend to use this fan with a wall switch make sure it is a two pole switch, which conforms to the relevant safety standards. This switch must have a 3mm contact opening.
8. Never use this ceiling fan with any solid state speed control device.
9. All set screws must be checked and re-tightened after installation. No lubricants should be used on screws or hooks.
10. DO NOT attach blades before hanging the fan.
11. Fan should not be used where ambient temperatures are likely to exceed 50 degrees centigrade.
12. When intended for possible corrosive atmospheres consult our help line

HELP LINE
01959 564 440



Tools Required For Installation

1. 1 Phillips and one flat blade screwdriver
2. One pair of pliers or a small adjustable wrench

Warning : This appliance must be earthed. Read and save these instructions

Warning

1. Be sure to shut off the electrical supply at the circuit breaker before installation or maintenance. This installation is to be in accordance with local and national electrical codes.
2. To reduce the risk of personal injury, DO NOT bend the blade brackets or blade when installing or cleaning the fan. Also, DO NOT insert foreign objects between rotation blade.
3. These appliances MUST be earthed/grounded.

Hanging & Assembly

1. Secure the J hook (suspension hook) to the ceiling/roof using suitable fixings. Screws are provided for mounting onto a wooden ceiling joist. The mounting must be capable of supporting 80kg. ENSURE THAT THESE FIXINGS ARE SECURE.
2. Lift up the motor assemble and place the shackle into the J hook. (See Page 2)
3. Before beginning electrical connection ensure the power is switched off and isolated.
4. Inside the upper canopy there is a four pole terminal block. Connect the supply wires to the terminal block marked as below. WARNING-CONNECT THE EARTH/GROUND WIRE FIRST.
 LF: Live Supply
 E: Ground/Earth (Green/Yellow)
 LR: Live Reserve
 N: Neutral
5. Slide the upper canopy into position covering the top mounting assembly and preventing access to electrical connections. Secure the upper canopy to the down rod using locking screws.
6. FITTING THE BLADES: Position the noise dampening paper pad and blade bracket over a pair of blade mounting holes in the motor. Affix both to motor using the washers, spring washers and flat washers provided. Fasten all screws evenly and securely but do not over tighten. Repeat until all blades are fitted.
7. There are three kinds of wall control available for use of different fan control requirement.
 - Model RV01: For one fan connection only with fan speed regulation and airflow forward/reverse switch.
 - Model RV05: For two~five (Max.) fans connection with fan speed regulating and airflow forward/reverse switch.
 - Model SIC-1: For one fan connection with fan speed regulation but without forward/reverse switch.

Please refer to page 4 & 5 for detailed instructions, you can also find installation manual in the package of wall control.

COMMERCIAL FAN WALL-MOUNTED SPEED CONTROL INSTALLATION & OPERATION INSTRUCTIONS

(For Model No. RVO-1, RVO-5, and SIC-1)

IMPORTANT POINTS TO REMEMBER:

1. Read carefully and retain the instruction.
2. Please note that all fixed wiring appliances should be installed by a qualified electrician.
3. To avoid possible electrical shock, be sure electricity is turned off at the main fuse box or circuit panel before wiring.
4. Do not mount wall control near heat producing equipment.
5. Make certain no bare wires are exposed outside the connectors.
6. This unit is to be used for the control of industrial fan at AC220~240V 50Hz power supply only.

INSTALLATION INSTRUCTIONS

1. Disconnect the power at the main fuse box or circuit panel.
2. Undo the wall control (see Fig. 1) by removing the decorative cover and box plate.
3. Secure the "Switch Box" to wall outlet box or onto the wall.

4. Make the wire connection, (see the WIRING DIAGRAMS INSTRUCTIONS)
(Note: Set the "Airflow Reversing & Power Off" Switch at "off" position before doing the wire connections)

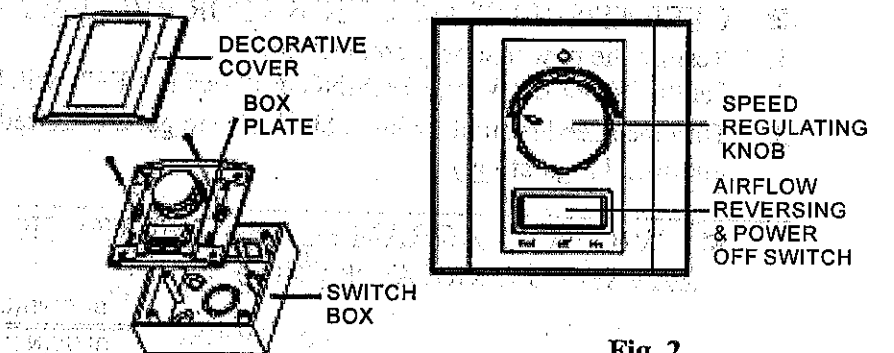


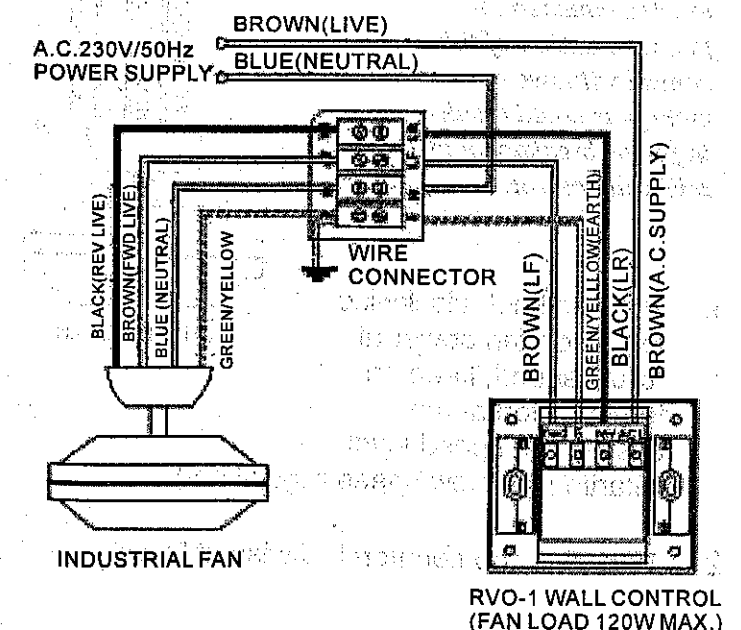
Fig. 1

Fig. 2

WIRING DIAGRAM FOR RVO-1 WALL CONTROL (FAN SPEED REGULATOR WITH FWD/REV SWITCH)

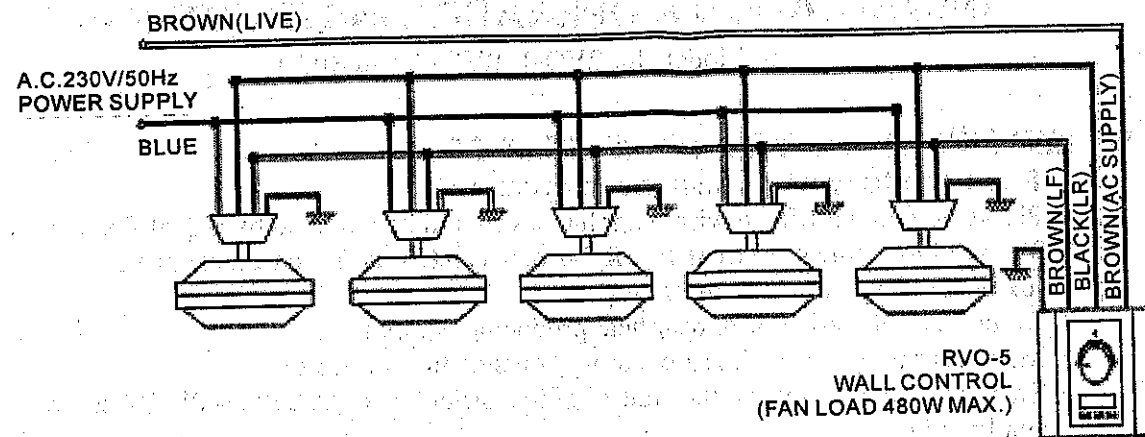
CAUTION

RVO-1 Wall control can only be connected to ONE industrial fan. Connection of this control with two or more fans could result in fire or breakdown of this wall control.



RVO-1 WALL CONTROL
(FAN LOAD 120W MAX.)

■ WIRING DIAGRAM FOR RVO-5 WALL CONTROL

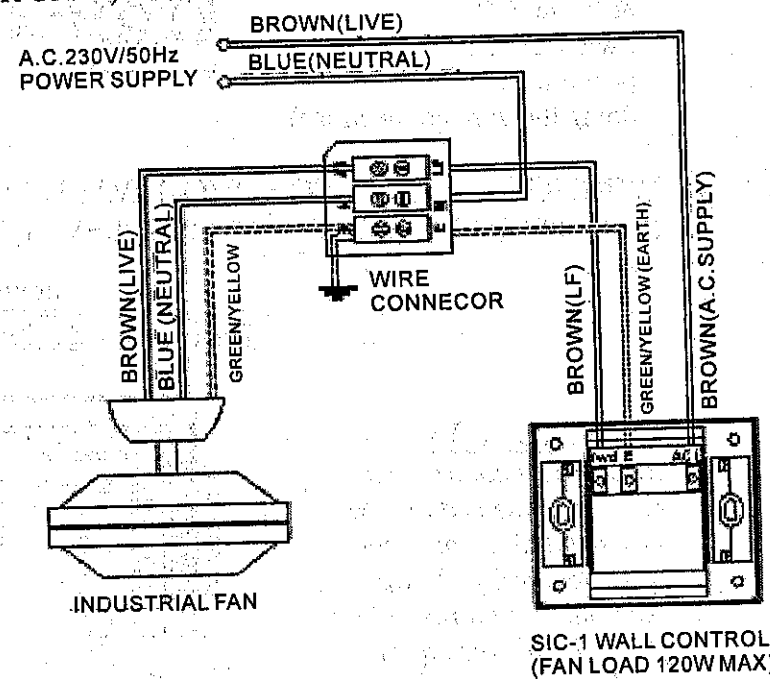


Note: RVO-5 wall control can control one to five (Max.) industrial fans similarly. Connection of this control with six or more fans could result in fire or breakdown of this wall control.

■ OPERATION INSTRUCTIONS FOR RVO-1 & RVO-5

1. Restore the power supply connection.
2. Set the "AIRFLOW REVERSING & POWER OFF" Switch at "fwd" or "rev" position.
3. Turn the speed regulating knob clockwise to get the desired fan speed level. (Starting with low speed regulating.)

■ WIRING DIAGRAM FOR MODEL NO. SIC-1 WALL CONTROL (FAN SPEED REGULATOR ONLY)



CAUTION

SIC-1 Wall Control can only be connected to ONE commercial fan. Connection of this control with two or more fans could result in fire or breakdown of this wall control.

1. Turn the knob clockwise to turn on fan power at "click" sound, keep on turning, stop at the desired fan speed level. (Starting with low speed regulating.)
2. Turn the knob counterclockwise at "click" sound to switch off fan power.

Maintenance

- When properly maintained, fans can be expected to give years of trouble free operation.
- The only maintenance required is periodic cleaning. Use only a brush or lint free cloth to avoid damaging the finish.
- Never use water when cleaning the fan, as this may damage the motor or blade, and possibly result electric shock.
- Any work relating to the fitting to cleaning of fan blades must be undertaken with the power supply off.

Trouble Shooting

1. Fan will not start
 - Check fuses and circuit breakers
 - With the power off check wiring connections to fan
2. Fan sounds noisy
 - Check to make sure all motor screws are secure.
 - Check to make sure all blade bracket screws are tight
 - Allow 24hr break in period to eliminate most noise
3. Fan Wobbles
 - Check that all blades are screwed firmly to motor
 - Check distance from tip of blade to ceiling, gently bend up or down until all distances are the same
 - Make sure that the hanging hook is securely tight to ceiling.

1 Year Warranty

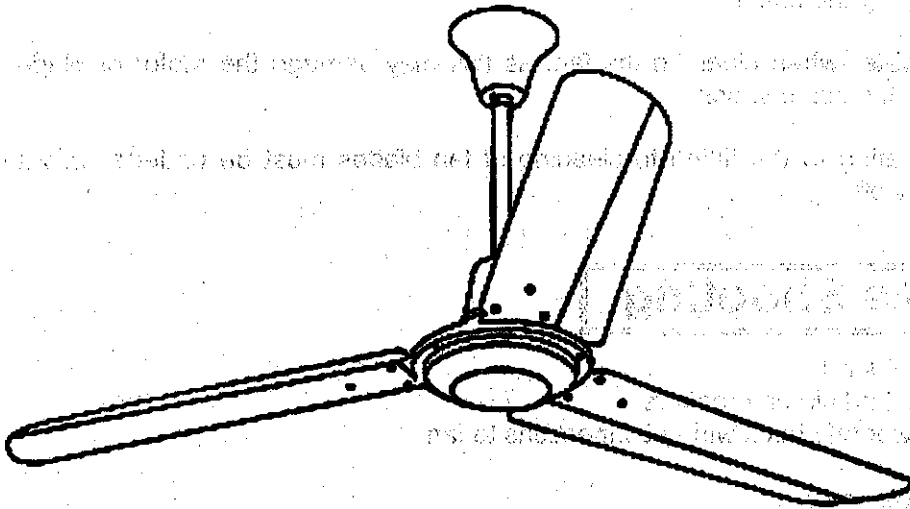
Thank you for purchasing a Global product. This product comes with a one year warranty.

This warranty will void if the unit has not been installed as per the installation instructions, damaged by neglect, misuse, consequential or incidental damage as a result of modification to the original product supplied. Reversing the fan while it is in motion. Plated finishes are also excluded.

All costs of removal or re-installation are your responsibility.

Goods not returned in good condition are the responsibility of the sender.

Global will replace or repair at no cost for the original purchaser, any fan motor which has become faulty due to materials or workmanship.



COMMERCIAL FAN