

Instruction Leaflet for Converting Viper Plus, Alpha and Delta models to Flush Mount units.

Parts Enclosed

- 1 x Mounting Plate for fitting to the ceiling
- 1 x Canopy to be connected to the fan body.
- 4 x Wood screws
- 4 x Metal washers
- 4 x Rubber Washers
- 4 x Spring washers
- 4 x Spring washers
- 3 x Screws for use with Alpha & Delta Models.

Convert a Viper Plus.



On top of the Viper Plus fan there are 6 screws. Three large and three small. Remove the three large screws.



Place the canopy onto the top of the motor. The canopy has six holes. Three large and three small. The large holes sit over the small screws.



The small holes line up with the holes and the three large screws are re-fitted.

Ensure all screws are screwed tightly



The fan is now ready for installation.

Convert an Alpha or Delta Fan



On top of the Alpha or Delta fan there are 3 large screws and three holes

Put the three screws provided for Alpha and Delta fans into these empty holes.

Now remove the three large screws



Line up the small holes in the canopy to the three empty threaded holes

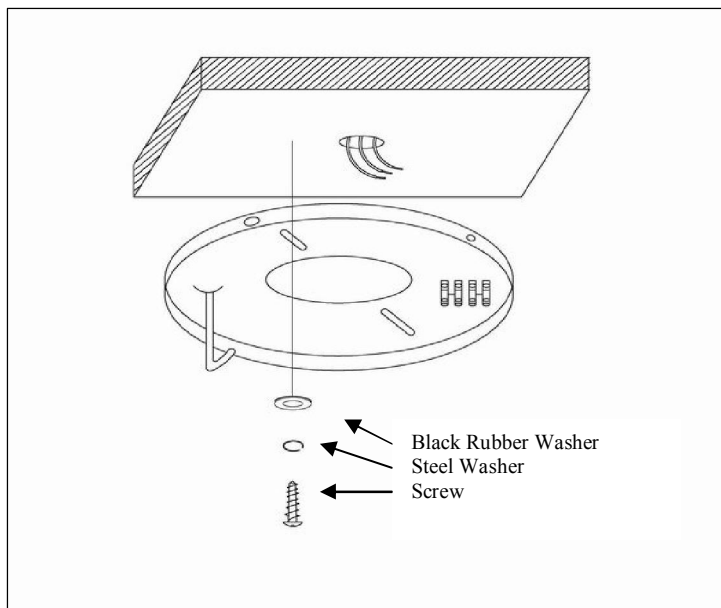
Replace the three screws you have removed

Ensure all screws are screwed tightly.

The fan is now ready for installation.

Install Your Fan

Install the Mounting Plate



The mounting plate should be screwed on to a firm flat surface. The fixing location must be able to withstand ten times the static weight of the fan. If you have any doubts about your intended fixing location being able to withstand this loading please contact our service help-line or another competent authority to advise you. In most situations two wood screws screwed in to a wooden joist is more than adequate to support your ceiling fan.

The mounting plate should be screwed onto the joist with the two wood screws provided. The washers provided should go in the following

Screw head > Spring > Steel round washer > Black rubber round washer > Mounting plate > Ceiling.

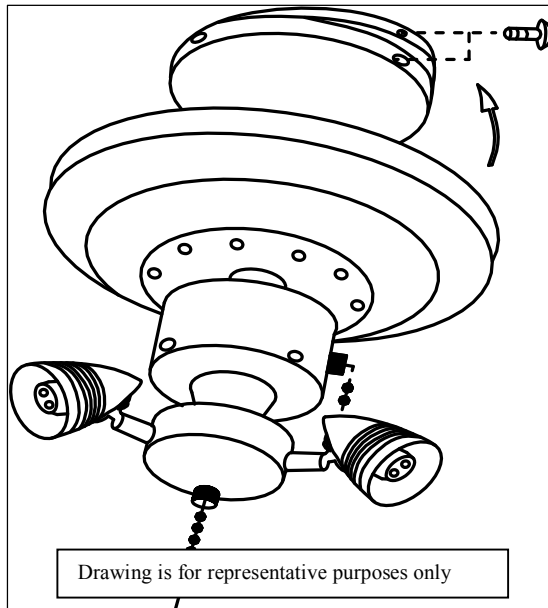
Screw the mounting plate to the ceiling and make sure all connections are secure to prevent the fan from falling. Fixings must screw into a joist and not just the plasterboard.

Leave two of the canopy screws, opposite each other, loose in their holes in the mounting plate but store the other two safely

Electrical Connections

Follow the instructions provided with your Owners Instruction Manual. While this is being done the weight of the fan can be taken by using the hook on the mounting plate. Hang the fan on the hook by using one of the holes on the canopy. Do not use the slotted holes.

Fitting the Fan



Take the weight of the fan and offer the canopy up to the mounting plate. Two keyed slots in the canopy will align with the two screws that have been left in the mounting plate.

Lift the fan and twist the canopy. This will now take the weight of the fan. Promptly insert the two remaining screws in the mounting plate. Tighten all four screws to ensure a good safe fixing