

Fantasia

**Fantasia
Pedestal Fan**

**Owner's
Manual**

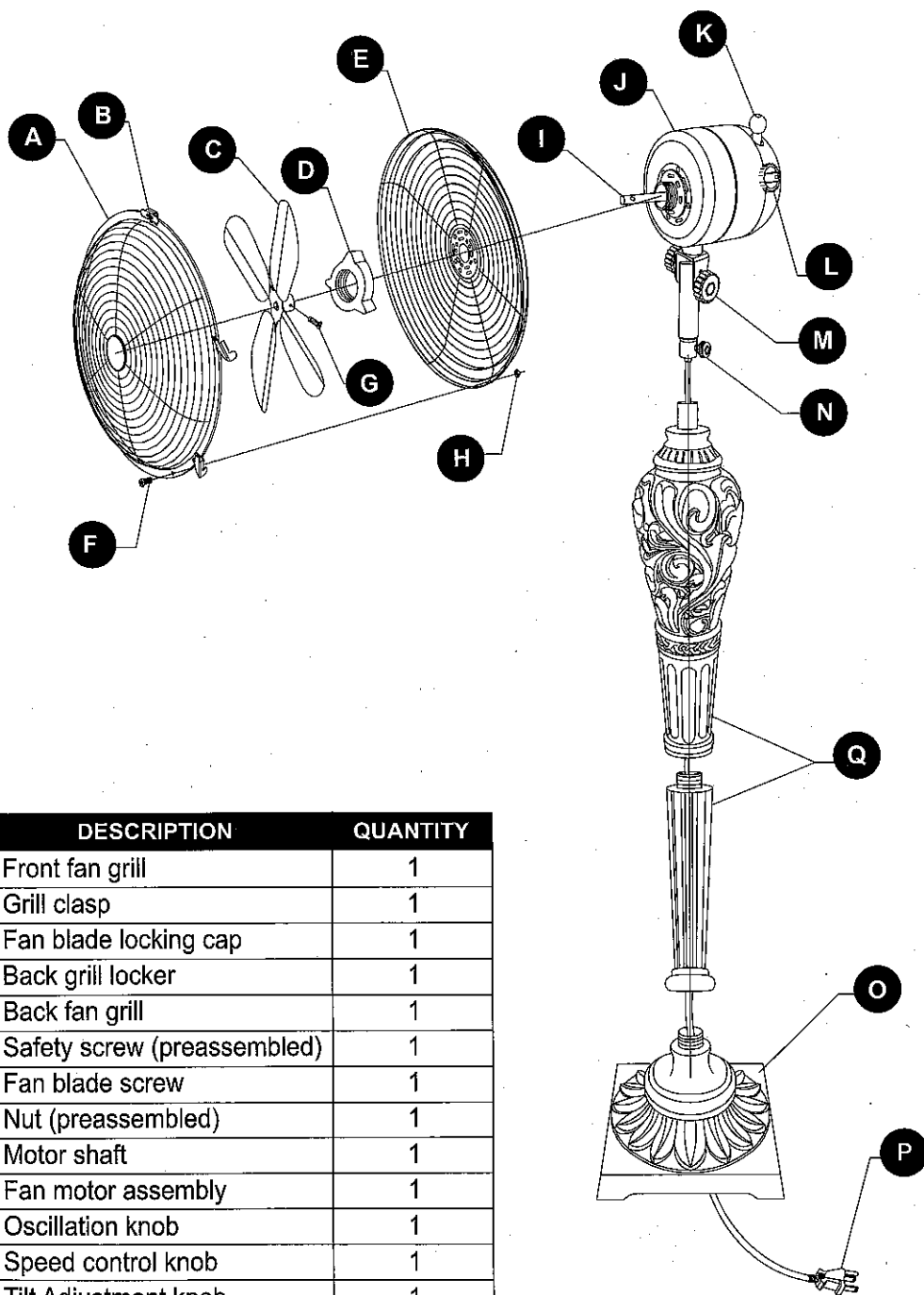
Enquiries or problems please contact our support team on
01959 564440 or email technical@fantasiaceilingfans.com

SAFETY INFORMATION.

- This appliance must be earthed
- Indoor use only
- Use the fan only on a level stable surface.
- Never insert fingers or any other objects into the fan grill
- Do not operate the fan if it is not fully assembled
- Only plug this fan into supply voltages of 220 – 240 V AC

PACKAGE CONTENTS

(Image of Fan may be different for your purchase)

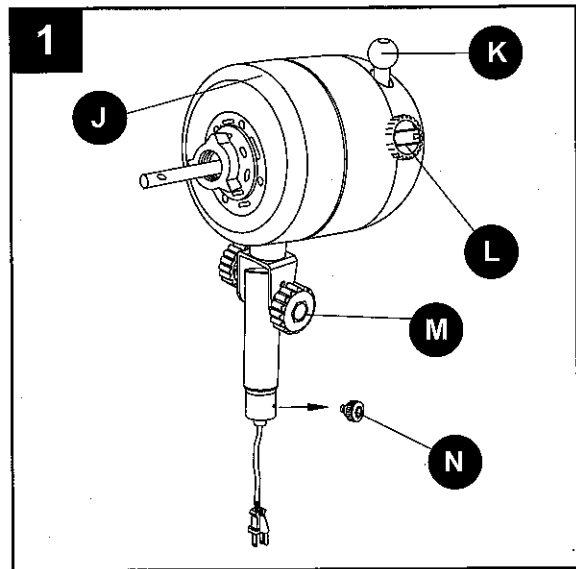


PART	DESCRIPTION	QUANTITY
A	Front fan grill	1
B	Grill clasp	1
C	Fan blade locking cap	1
D	Back grill locker	1
E	Back fan grill	1
F	Safety screw (preassembled)	1
G	Fan blade screw	1
H	Nut (preassembled)	1
I	Motor shaft	1
J	Fan motor assembly	1
K	Oscillation knob	1
L	Speed control knob	1
M	Tilt Adjustment knob	1
N	Locking screw (preassembled)	1
O	Fan base	1
P	Electrical cord	1
Q	Connection pole	2

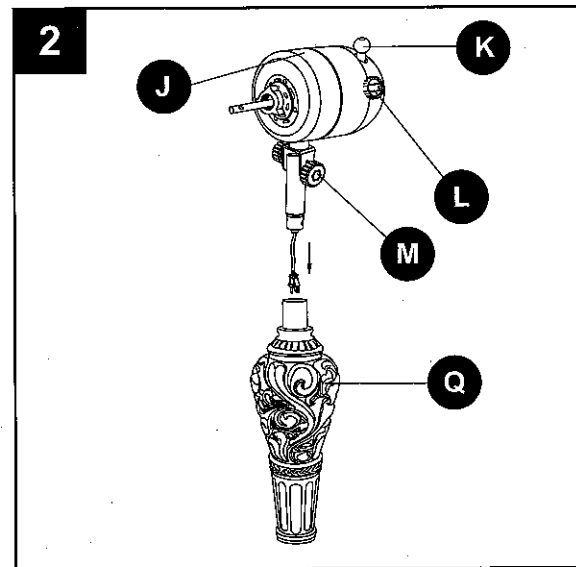
ASSEMBLY INSTRUCTIONS

- The base and stem of the fan comes in multiple parts for shipping convenience. To assemble, thread the pieces together at their adjoining points.

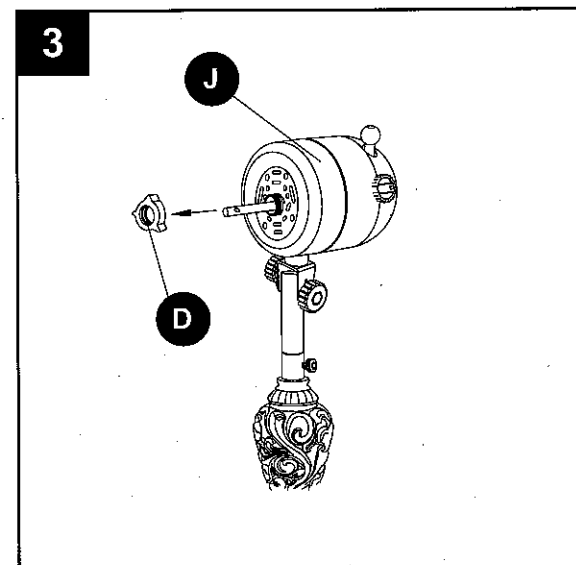
Using a Phillips screwdriver, remove the locking screw (N) from the fan motor assembly (J). Insert electrical cord (P) into the connection pole (Q) and guide through the bottom exit hole of the fan base.



- Slide the fan motor assembly (J) onto the upper pole aligning the screw holes of both. Re-insert and tighten the locking screw (N).

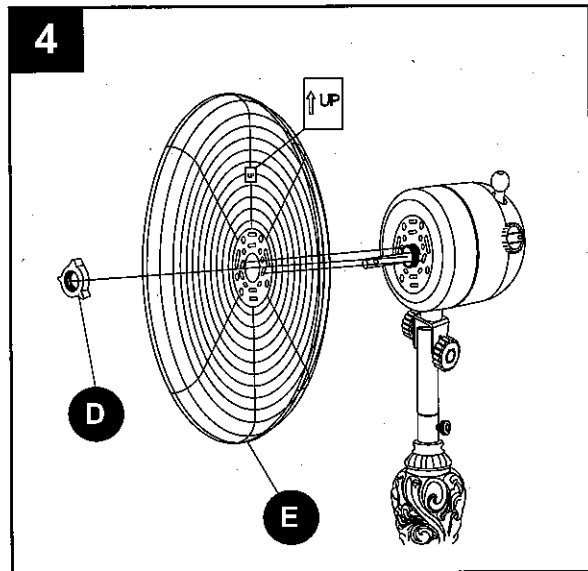


- Remove the Back Grill Locker (D) from the Motor Assemble (J)

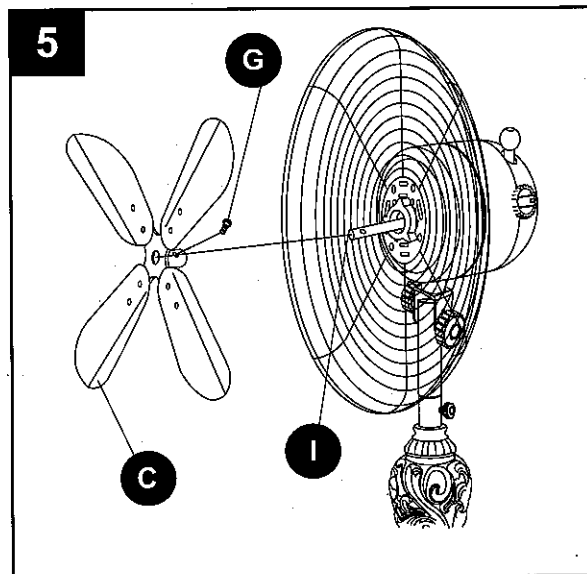


ASSEMBLY INSTRUCTION (CONT.)

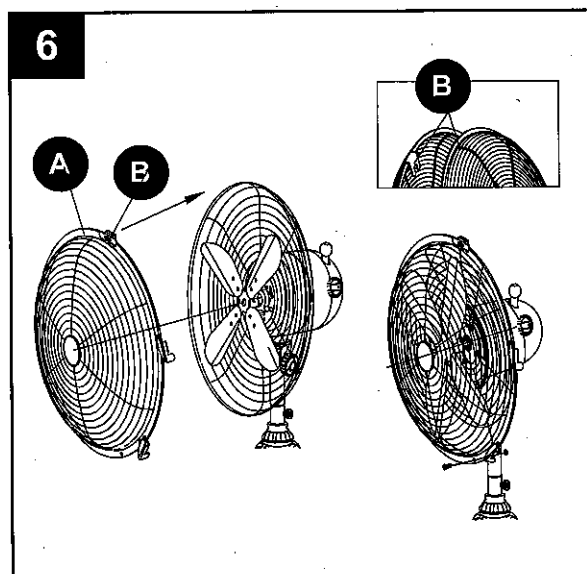
- Slide the Back Grill (E) onto the front of the Motor Assembly (E) with the handle at the top centre. Attach the Back Grill Locker (D) and rotate clockwise to tighten.



- Remove the Screw (G) from the Fan Blade (C). Slide the Fan Blade (C) onto the Motor Shaft (I) and re-insert the Screw (G) and tighten firmly.

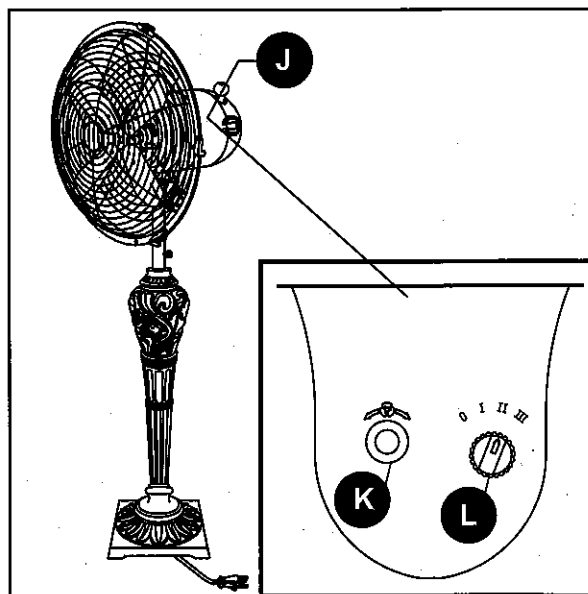


- Open all grill clasps on Front Grill (A). Remove the Safety Screw (F) from the bottom of Front Grill (A) and place somewhere safe for the moment. Position Grill Clip (B) at the top centre of the Back Grill (E) and hook over the frame to secure. Secure all grill clasp clips so that both grill frames are pressed together inside each clasp. Re-attach Safety Screw (F) and secure.



OPERATION INSTRUCTIONS

- The Speed Control Knob (L) is located on the top rear of the Fan Motor Assembly (J). Position 0 = off, position I = low speed, position II = medium speed and position III = high speed. Simply twist the switch to the desired position to operate.
- The fan can operate in stationary or oscillation modes. The Oscillation Knob (K) is located on the top rear of the Fan Motor Assembly (J). To engage the oscillation function simply depress the button. To stop, pull up.
- The fan head can also be tilted slightly for added adjustment. Loosen the Tilt Adjustment Knob (M) and pitch the fan head to the desired angle and then re-tighten.



CLEANING AND MAINTAINENCE.

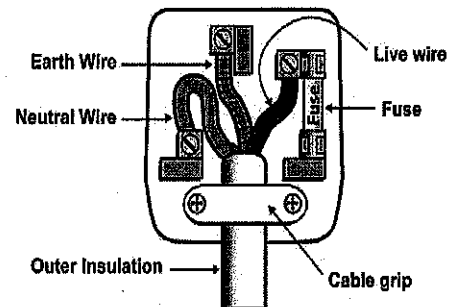
- Lightly dust. Do not use abrasive cleaners.
- Regularly inspect the cable for any damage.

LIMITED WARRANTY

- Fantasia Distribution Ltd warranty this product, for 1 year from date of purchase, is free from defects in materials and workmanship. The limited warranty does not cover damage resulting from commercial use, misuse, accident, modification or alteration.
- To claim you must send your product to the address below and provide proof of purchase.
- All transportation costs are the responsibility of the consumer.
- The limited warranty does not effect your statutory rights.

PLUG REPLACEMENT

- The appliance must be connected to a 240 volts 50 Hz AC supply by means of a three pin socket.
- The appliance is supplied with a rewireable 13 amp 3 pin plug fitted with a 3 amp fuse. Should the fuse require replacement, it must be replaced with a fuse rated at 3 amp and approved to BS1362.
- If the mains plug is unsuitable for the socket outlet in your home or is removed for any other reason, then the cut off plug should be disposed of safely to prevent the hazard of electric shock.
- There is a danger of electric shock if the cut off plug is inserted into any 13 amp socket outlet.



The wires in the mains lead on this appliance are coloured in accordance with the following code:

Green and Yellow – Earth
Blue – Neutral
Brown – Live

CONFORMITY

- This product is CE marked to denote conformity with Directives 73/23/EEC (Low Voltage) and 89/336/EEC (Electromagnetic Compatibility), as amended.
- Waste electrical products should not be disposed of with household waste. Please recycle where facilities exist. Check with your Local Authority or retailer for recycling advice.



This product has been produced by:

Fantasia Distribution Ltd
Unit B The Flyers Way
Westerham
Kent TN16 1DE
United Kingdom

Tel: +44 (0) 1959 564440

Fax: +44 (0) 1959 564829

Email: info@fantasiaceilingfans.com

Twitter: @FansByFantasia

Facebook.com/FantasiaUK

www.fantasiaceilingfans.com

Thank you for your purchase