

Fantasia ★ **Elite** ★

OWNERS INSTRUCTION MANUAL

107CM/42"

Quadrant

**INSTALLATION
OPERATION
MAINTENANCE**

CAUTION

**READ INSTRUCTIONS CAREFULLY FOR SAFE
INSTALLATION AND FAN OPERATION. IF UNSURE CONSULT
A QUALIFIED ELECTRICIAN**

**SUITABLE FOR 230V/50 CYCLE ELECTRICAL SUPPLY
Enquiries on installing your fan please call our help line on**

01959-564440

E-MAIL

[technical@fantasiaceilingfans .com](mailto:technical@fantasiaceilingfans.com)

SAFETY PRECAUTIONS

1. To ensure the success of the installation be sure to read the instructions and study the diagrams thoroughly before commencing.
2. All electrical work should only be undertaken after disconnection of the power by removing fuses or turning off the circuit breaker to ensure all pole isolation of the electrical supply. If you are in any doubt the services of a qualified electrician should be sought to ensure that all work is carried out in accordance with the I.E.E. Regulations, current good practice and other national and local electrical codes.
3. Make sure that your installation site will not allow the rotating fan blades to come into contact with any object and that there is a minimum clearance of 150mm (6) from the blade tip to the wall or ceiling. Please note that the bigger this clearance is the better the airflow from your fan will be. Ensure the blades are mounted at a minimum height of 2.3 meters (7'6") from the floor when the fan is installed.
4. The fixing point for the fan must be able to support a weight of ten times that of the net weight of the fan. Net weights can be found on the bottom of the units box. If you are mounting the fan to a ceiling junction box, the box and its fixing must be able to support the moving weight of the fan and must not twist or work loose.
5. The fan must be earthed.
6. Do not connect the fan motor to a dimmer switch. This may give an unsatisfactory performance (motor hum) and cause damage to the motor.
7. It is not recommended that ceiling fans and gas appliances are operated in the same room at the same time.
8. The fan must be turned off and stopped completely before reversing the fan direction.
This will prevent any damage to the motor of the unit or controller (if installed).
9. Do not insert anything into the fan blades while the fan is operating. This will damage the blades and upset the balance of the unit causing the unit to wobble.
10. After the fan is completely installed make sure that all connections are secure and tight to prevent any problems.
11. Because of the fans natural movement, some connections may loosen. Check the support connections, brackets and blade attachments twice a year to make sure they are all secure. If they are loose tighten with a screwdriver. (It is not necessary to take the fan down from the ceiling)

Note: The important safeguards and instructions given in this manual are not meant to cover all possible conditions and situations that may occur. It must be understood that common sense, caution and care are factors which cannot be built into any product.

These factors must be supplied by the persons caring for and using the unit.

For installation advice, or in the unlikely event of damaged or missing parts, please ring our help no. or send a e-mail to us:

HELPLINE: 01959 564440
E-mail: technical@fantasiaceilingfans.com

SUPPLIED PARTS

- One fan motor assembly
- One hanger bracket fitted with terminal block and top rubber washers
- One drop rod & canopy (Preassembled on fan)
- One set of wood blades
- One screw-pack
- One installation booklet & optical clothes
- One remote control set
- One glass shade
- One 2C fluorescent lamp

TOOLS AND MATERIALS REQUIRED

- Philips screwdriver
- Blade screwdriver
- Small electrical screwdriver
- Electrical pliers
- Step ladder
- Wiring supplies as required by current electrical practice
- In-line crimps or other suitable connectors if an extension rod in excess of 760mm (30 inch) is to be fitted.

Before starting the assembly and installation of your fan please ensure the safety precautions have been read and understood.

INSTALLATION DIFFICULTIES, MISSING OR DAMAGED PARTS

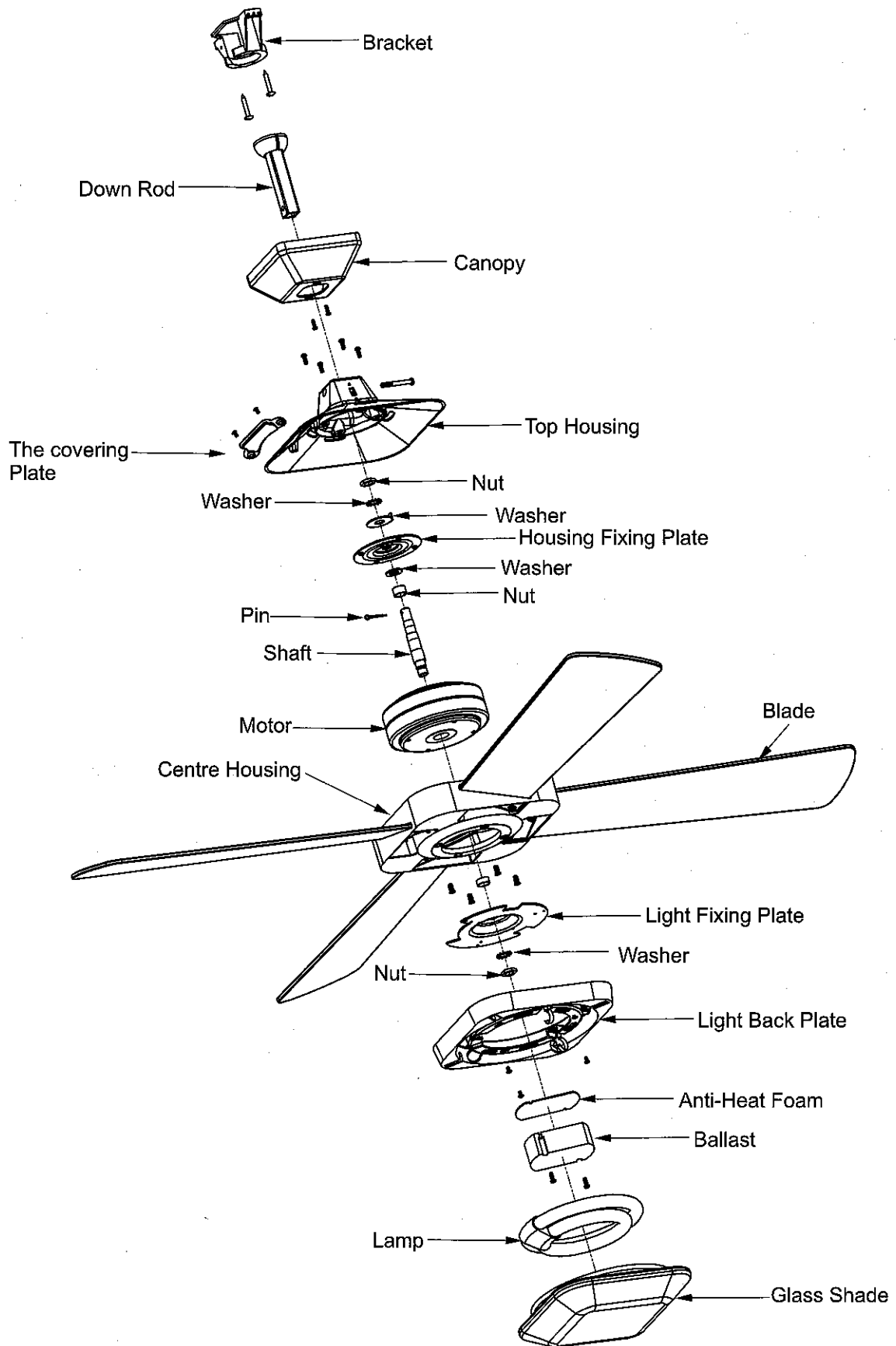
If you have any difficulty in installing your fan/light or if you are unfortunate enough to find that your fan has been dispatched with parts missing or damaged please contact our help-line on (01959 564440) or send a e-mail with following mail address. We will be very pleased to provide help of forward replacements parts to you immediately.

In any communication with us please quote model reference, colour of the unit and the part missing or damaged.

HELPLINE
01959 564440

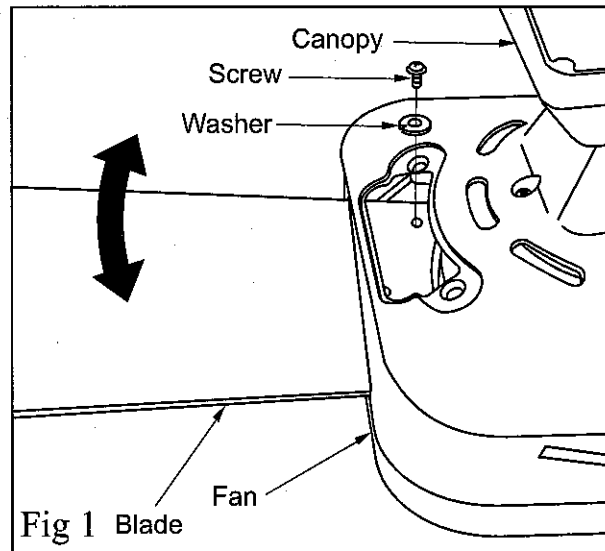
E-mail:technical@fantasiaceilingfans.com

EXPLODED DIAGRAM



INSTALLING BLADES

Remove the two screws from the covering plate on the top housing.
 Insert blades one at a time through four slots around the centre housing and secure with three screws and washers provided for each blade through the top opening.
 Repeat this procedure for all blades. (See Fig 1)
 Replace the cover plate and secure with two screws once all four blades have been firmly fitted.

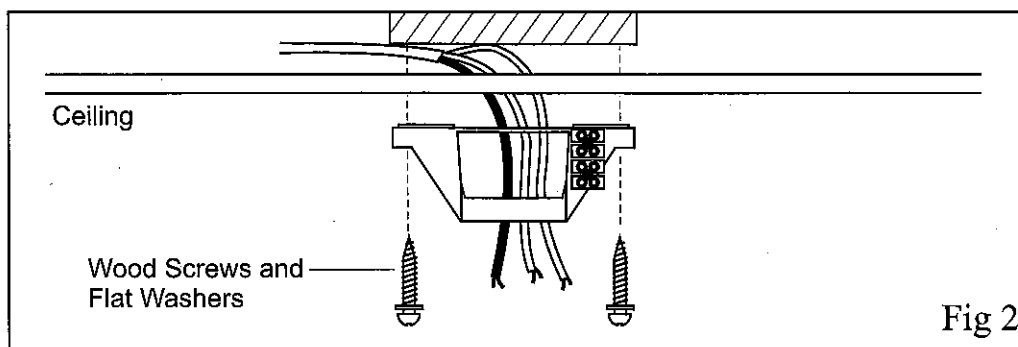


Important: The power **MUST** be disconnected to the product prior to any assembly or installing light bulbs.

Important: Always use a pair of gloves or a cloth or tissue and keep your hands clean when replacing 2C lamps.
 Keeping the lamps clean and free from dirt and oily residue will help to prolong the lamp life."

HOW TO ASSEMBLE

1. Secure the hanging bracket to ceiling beam or a suitable piece of timber inserted between the ceiling beams. Fantasia recommends the bracket be attached with two (2) long wood screws as supplied within the package. (See Fig 2)



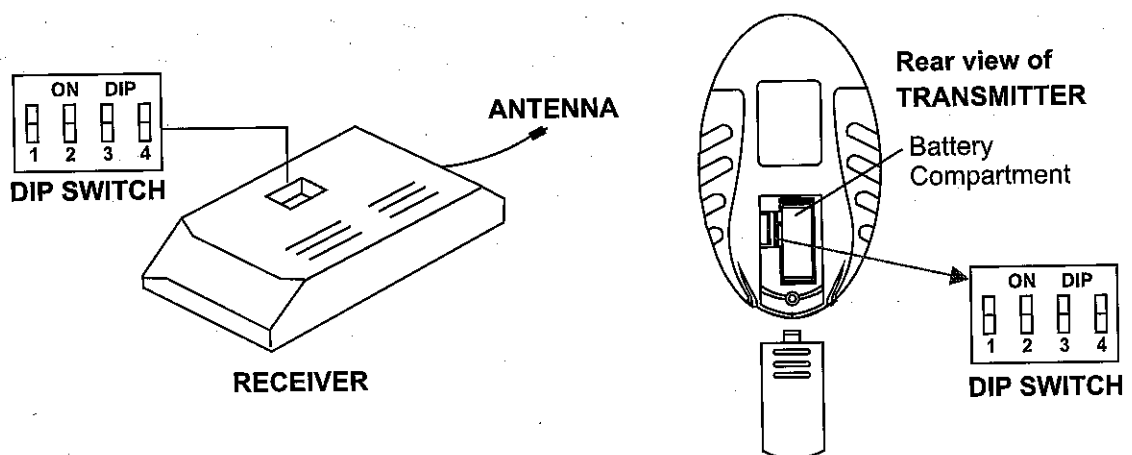
2. Place the ceiling canopy over the down rod and re attach the ball joint fitting to the down rod.
3. Place fan into hanging bracket and align ball joint slot with hanging bracket. Connect all cables to the terminal block attached to the hanging bracket. At this point check every screw, nut and bolt on the entire fan to ensure that they are tight as they can work loose during freighting. This will avoid the risk of any unnecessary wobbling.

REMOTE CONTROL AND WIRING INSTRUCTIONS

WIRING INSTRUCTIONS: Before doing wiring, ensure that you have all pole disconnection of the electricity supply.

Your fan is supplied with a radio frequency remote control unit, and the fan does not have a pull switch for speed control, the fan can only be controlled by remote control. You can find the unit in the box. Before connecting the wiring, please set up the code of remote control.

CODE SWITCH: Codes are set by pushing dip switches up or down. It is imperative that the code used for both transmitter and receiver is exactly the same, otherwise the remote control will not work. Please note the code switch will enable you to operate a second remote controller independently. For example, if you have two ceiling fans with 2 remote control units, set 2 different codes for each set of transmitter/receivers. This means you can operate each ceiling fan independently. Please see following drawing. will not work. Please note the code switch will enable you to operate a second remote controller independently. For example, if you have two ceiling fans with 2 remote control units, set 2 different codes for each set of transmitter/receivers. This means you can operate each ceiling fan independently. Please see following drawing.

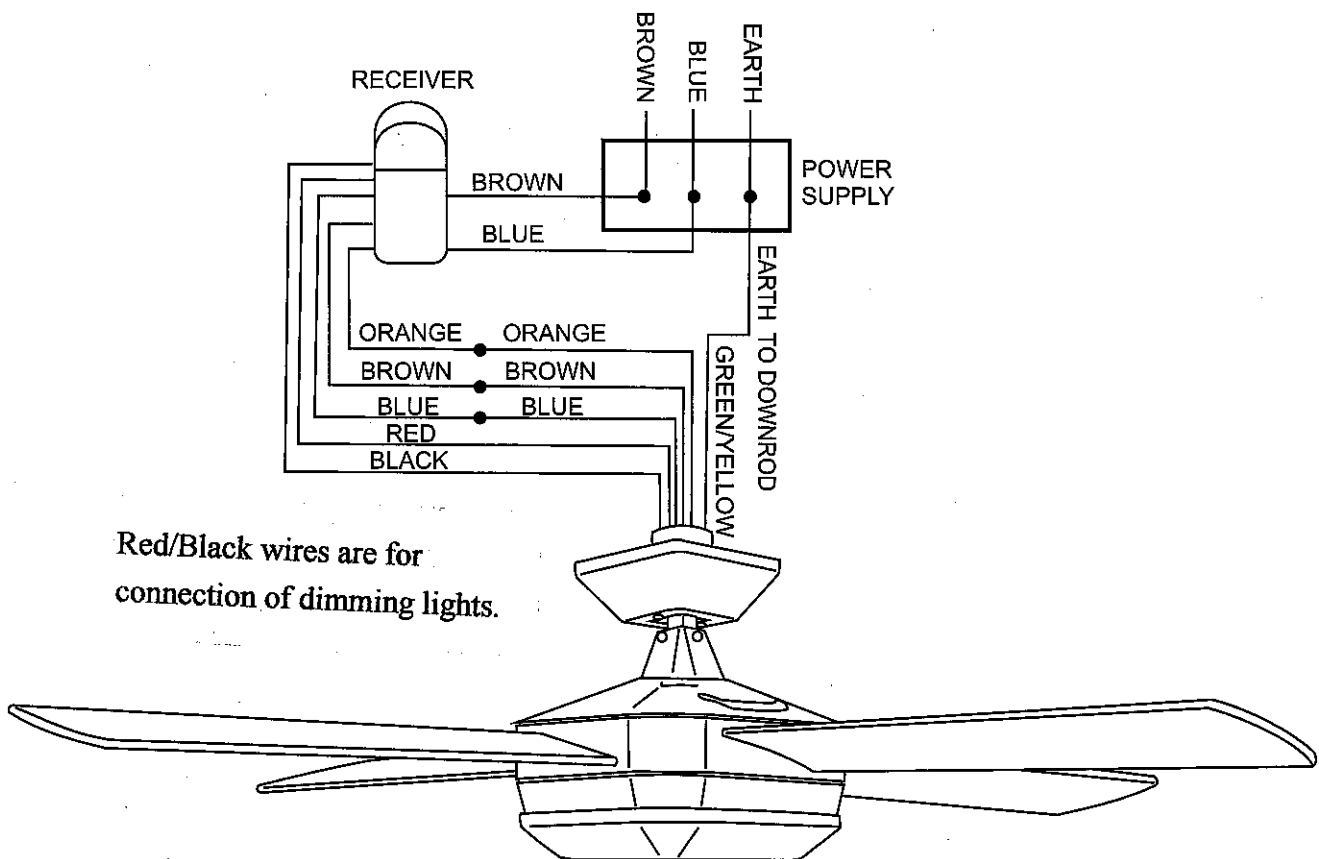


REMOTE CONTROL

This fan is equipped with a frequency type remote control which is installed into the mounting bracket which is housed inside the top canopy for controlling the fan speeds and light. Please refer to the instruction sheet packed with the remote control unit for more information about the wiring and installation of the remote control unit.

NOTE: ONLY THE REMOTE CONTROL SUPPLIED WITHIN THIS PACKAGING CAN BE USED WITH THIS FAN OTHERWISE WARRANTY WILL BE VOID.

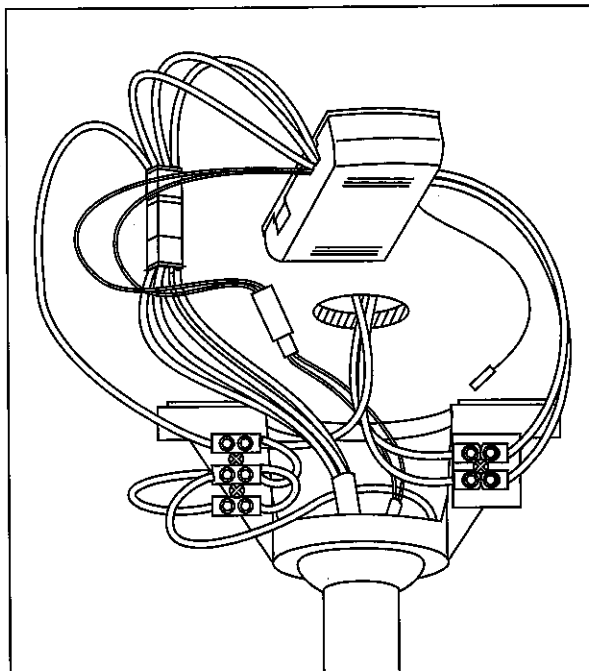
SUPPLY CIRCUIT



NOTE: Once earth wires are connected, carefully tuck wires and marrette into the top canopy making sure that the wires are clear of the hemisphere and downrod when positioned in mounting bracket.

REMOTE CONTROL AND WIRING INSTRUCTIONS

CAUTION: Before doing wiring, ensure that you have all pole disconnection of the electricity supply.



Put the receiver of remote control through hanger bracket.

Connect the A.C. power supply wires that come from the ceiling to the terminal block on hanger bracket, which are marked with L & N, and connect the earth wire to Green/Yellow earth wire that is marked E.

Connect the male square connector that has installed with the four wires coming from the fan to the female square connector that has installed with wires coming from the output side of the receiver. Brown is LIVE wire, Blue is NEUTRAL wire, Orange is LIVE wire for Light. Green/Yellow is EARTH wire.

IMPORTANT : THIS APPLIANCE MUST BE EARTHED.

After wiring is completed, attach the canopy to the hanging bracket by pushing upwards and twisting anti-clockwise. Locate screws in keyholes and tighten. (Fig 3)

The star washers must be present under the screw head during assembly along with a warning that the screws must be securely tightened to provide effective earthing continuity. (See Fig 3)

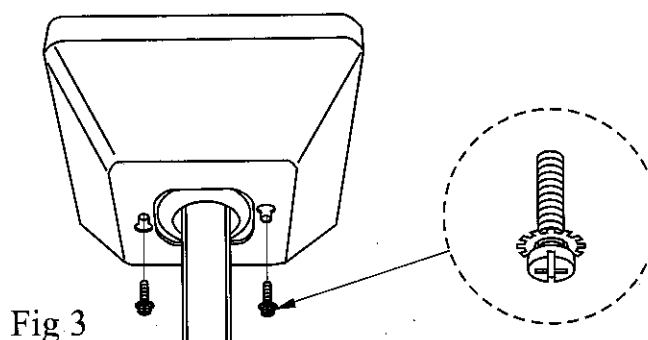


Fig 3

HOW TO OPERATE THE HANDSET (TRANSMITTER)

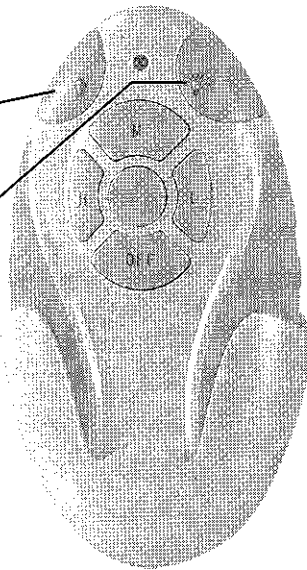
The wireless remote control is designed to control all commonly used features except the airflow upward and downward reversing function.

The reverse switch is on the fan housing (a slide switch).





Please change the airflow direction manually.

LIGHT CONTROL BUTTON

1. Turn Light ON/OFF
Press this button and release instantly to turn on and off the fan light
2. Dimming the light
Press this button and hold to dim or brighten lights to the desired level and release,



FAN CONTROL BUTTON

-  Turn on ceiling fan at HIGH speed.
-  Turn on ceiling fan at MEDIUM speed.
-  Turn on ceiling fan at LOW speed.
-  Turn on ceiling fan OFF.

Battery Replacement:
23AE12V Battery

NOTE:

1. Please allow a moment between each operation.
2. Please handle the transmitter with care, be sure not to drop or expose it to water, high humidity or place where is too close to a heating element. Improper handling may result in malfunction and void the warranty.
3. The remote control is operated by Radio Frequency, so, it won't be necessary to point this unit at the ceiling fan while activating the handset functional button.

REMOVE THE LAMP SHADE FOR INSTALLING LIGHT BULBS

Remove the lamp shade carefully as shown in the Fig 4, turn anticlockwise to remove the lamp shade.

To install the lamp shade as shown in fig 5-1, 5-2 there are 4 metal clips in each corner of the light base plate and there are 4 curved indentations in the glass shade. Push the glass shade on carefully after ensuring the 4 curved indentations in the glass shade align with the 4 metal clips in the corners of the light base plate.

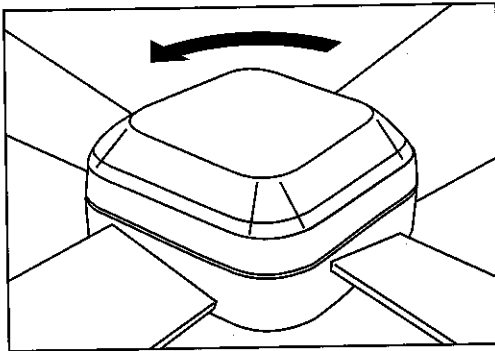


Fig 4

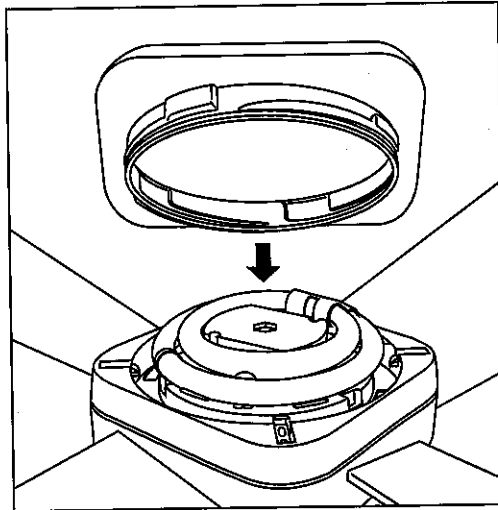


Fig 5-1

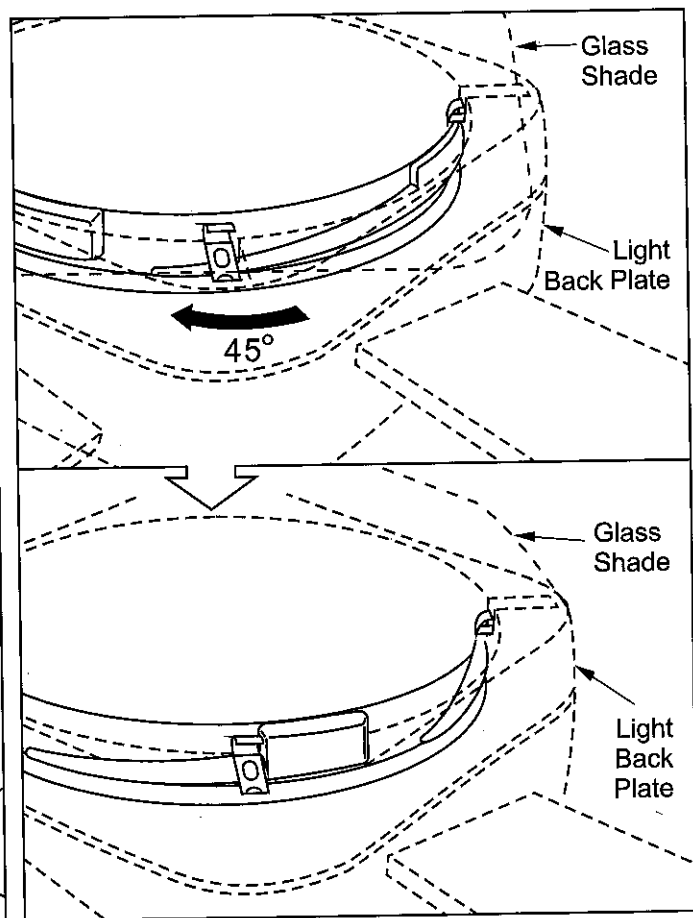
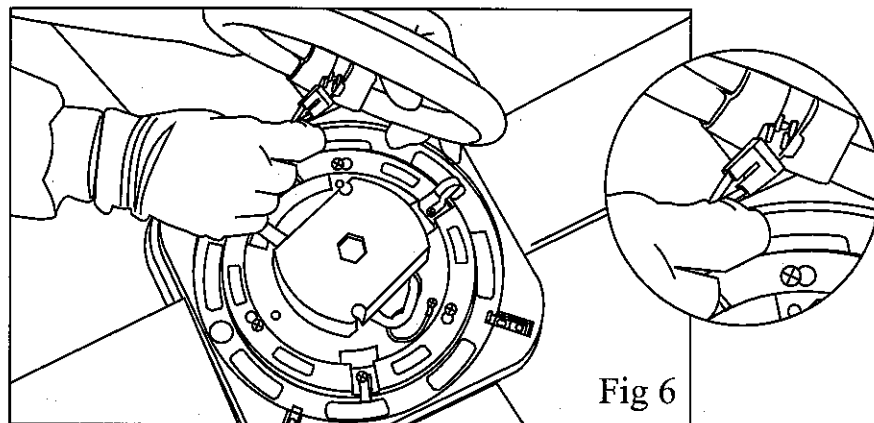


Fig 5-2

INSTALLING 2C LAMP (MAX. 40W)

1. Only 2C lamp with 40W (MAX.) shall be used.
2. Install 4 pin wire connector onto the 4 pins on the 2C lamp by pushing it on gently (See Fig 6).
3. Gently push 2C lamp onto the metal clips on the light base plate to hold it in place (See fig 6).

NOTE: 40W 2C LAMP MUST BE CORRECTLY POSITIONED IN ORDER FOR GLASS SHADE TO FIT CORRECTLY. INCORRECT INSTALLATION OF 2C LAMP COULD RESULT IN THE GLASS SHADE BREAKING.



USE IN ALL SEASONS

Always ensure the fan is set to 'OFF' and the blades have stopped rotating prior to changing the direction of the blades.

The Reverse Switch on the fan should be set on 'SUMMER' (Forward) during warmer seasons to move the blades in an anti-clockwise direction, and 'WINTER' (Reverse) during cooler seasons to move the blades in a clockwise direction. (See Fig 7).

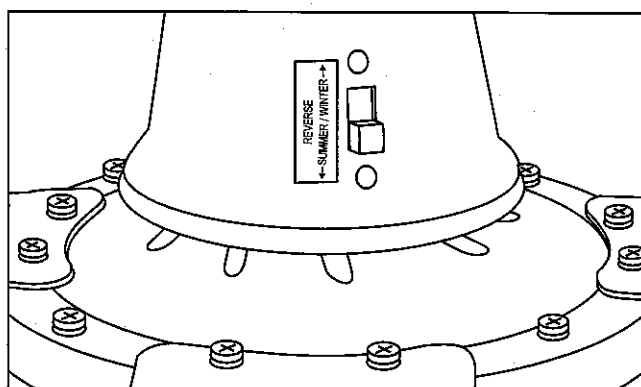


Fig 7

BLADE BALANCING

Whilst every precaution is taken at the factory to ensure your fan is of the highest quality, imbalance may occur. This may be due to slight irregularities in the blades or blade carriers. Deviating from these instructions can cause further problems. The following procedure may help to rectify the situation.

The hanging bracket must always be tight against the ceiling so that no movement can occur.

Make sure that the rod is firmly locked into the boss on top of the fan. The locking screw should be securely tightened.

Check all the blades are firmly tightened on to their carrier brackets.

Check all the carrier brackets are tightened on to the motor firmly.

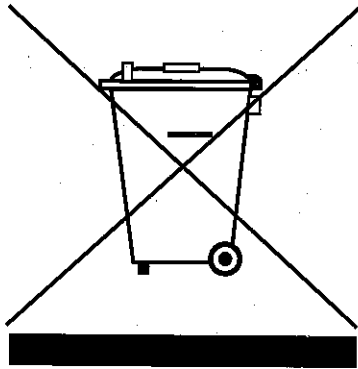
Blade tracking can easily be checked by holding a yardstick or similar measure vertically from the ceiling to the tip of the blade. Then check all blades measure the same distance from that point. To correct slight problems in the alignment of a blade, gently bend the carrier to bring it back in line.

Changing over two adjacent blades may correct any imbalance.

Use the universal balancing kit supplied with the fan.

Please note that drop rod styles of fans do have a slight level of movement but this is in no way dangerous.

PRODUCT DISPOSAL INSTRUCTIONS



This product has been classed as Electrical or Electronic Equipment and should not be disposed of with other household or commercial waste at the end of its working life.

The Waste of Electrical and Electronic Equipment (WEEE) Directive (2002/96/EC) has been put in place to recycle products using best available precise and minimize the impact upon the environment.

CEILING FAN WARRANTY

You must have the original purchase receipt or bill of sale to make a warranty claim. No claim will be accepted unless proof of date of purchase is available at the time of making the warranty claim.

Ceiling Fan Warranty Period.

The ceiling fan itself, excluding accessories such as the Remote Control Transmitter and Receiver, is covered by a 15 year warranty. During this period, Fantasia Distribution Ltd will, at its discretion, repair or replace defective product.

During this 15 years, the owner is responsible for labour costs incurred in removing and re-installing the fan, and for transport costs to Fantasia Distribution Ltds repair centre. Return freight will be paid by Fantasia Distribution Ltd. The cost of obtaining or using special access equipment (scissor lifts, scaffolding etc.) is specifically excluded, and it is the responsibility of the owner to provide such equipment and have it safely installed and operated.

Remote Control Warranty Period.

Fantasia Distribution Ltds Remote Control Receivers and Transmitters (Handsets) are covered by a 2 year repair or replacement warranty.

Balance of Warranty on Repaired or Replaced Products.

Any replaced or repaired product is covered only by the balance of the warranty remaining on the original article.

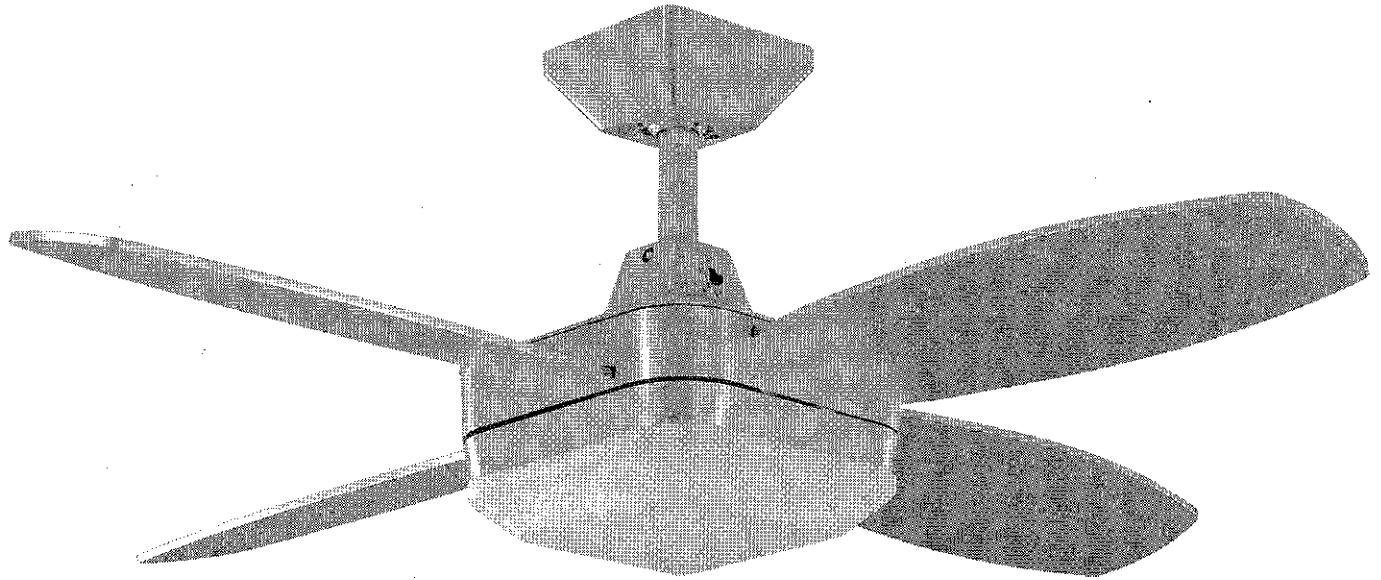
Transfer of Warranty.

If the dwelling where the fan or remote control is installed changes hands, the balance of the warranty passes to the new owner, providing the original bill of sale for the product is retained by the new owner.

Warranty for the fan does not cover damage to the fan if it is moved from one dwelling to another during the warranty period. The warranty is voided in total if the product is sold as second hand goods.

The following is NOT covered by warranty.

1. Any damage incurred after delivery to the owner that is not caused by a fault in the products materials or workmanship; damage from lightning or power surges; incorrect installation; damage due to incorrect installation; water damage of any kind; installation or use outdoors; damage arising from connection to or use with alternative power systems (e.g. inverters, solar, etc.).
2. Ceiling fans not installed by a qualified electrician.
3. Repair of a ceiling fan used incorrectly, accidentally damaged, modified in any way or not serviced in accordance with the maintenance instructions.
4. The cost of transporting and insuring the ceiling fan between the nearest Fantasia Distribution Ltd agents' service depot and its normal location. These costs must be met by the purchaser.
5. Subject to any statutory provisions to the contrary, claims for damage to furniture, carpet, walls, ceilings, foundations or any other consequential loss either directly or indirectly resulting from a faulty ceiling fan.
6. Ceiling Fans not purchased and installed in Mainland UK.
7. A service fee will be charged where; there is nothing wrong with the ceiling fan or; the defective operation of the ceiling fan is due to failure of electricity or; the installation is not in accordance with Fantasia Distribution Ltd instructions and/or applicable local regulations or; the defects have been caused by incorrect application or abuse of the ceiling fan or; the damage has been caused by unauthorized persons attempting to repair the fan.



107CM/42"

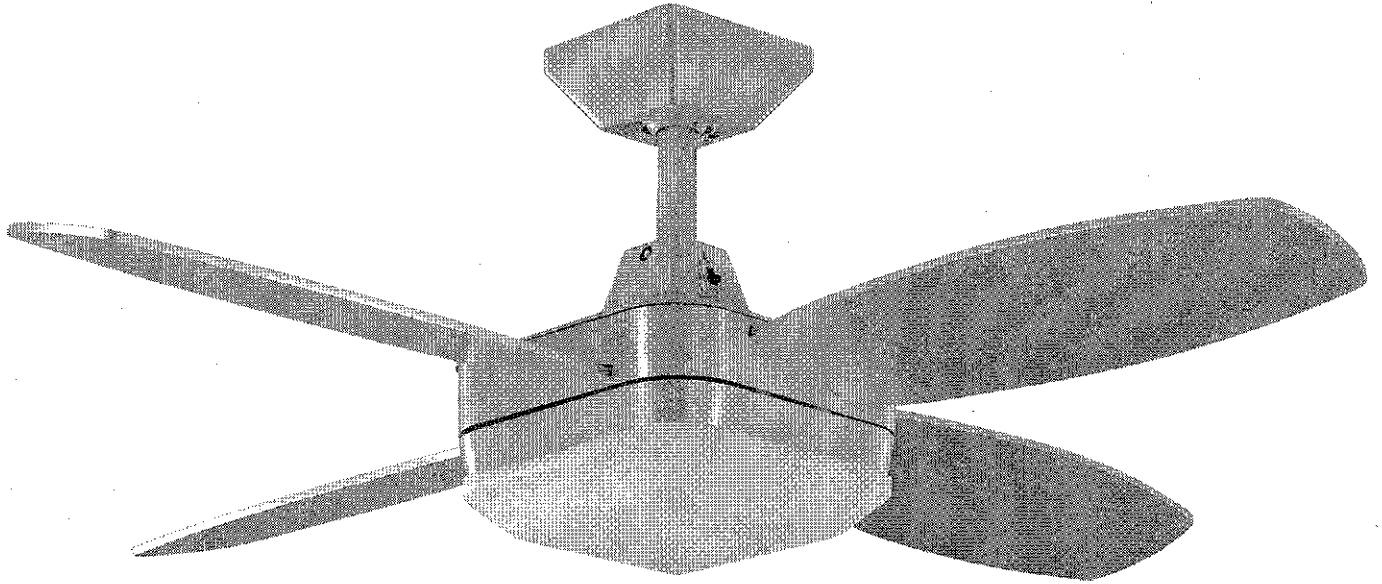
Quadrant

FANTASIA DISTRIBUTION LTD.

Unit B. The Flyers Way, Westerham, Kent, TN16 1DE, England

Tel:(01959)564 440 Fax:(01959)564 829

E-MAIL:info@fantasiaceilingfans.com



107CM/42"

Quadrant

FANTASIA DISTRIBUTION LTD.

Unit B. The Flyers Way, Westerham, Kent, TN16 1DE, England

Tel:(01959)564 440 Fax:(01959)564 829

E-MAIL:info@fantasiaceilingfans.com