

Fantasia ★ **Elite** ★

OWNERS INSTRUCTION MANUAL

(132CM/52")

TAU

**INSTALLATION
OPERATION
MAINTENANCE**

CAUTION

**READ INSTRUCTIONS CAREFULLY FOR SAFE
INSTALLATION AND FAN OPERATION. IF UNSURE CONSULT
A QUALIFIED ELECTRICIAN**

**SUITABLE FOR 230V/50 CYCLE ELECTRICAL SUPPLY
Enquiries on installing your fan please call our help line on**

01959-564440

E-mail :technical@fantasiaceilingfans.com

 **Fantasia**  **Fantasia**  **Fantasia**  **Fantasia**  **Fantasia**  **Fantasia**  **Fantasia**  **Fantasia**

Safety Precautions

1. To ensure the success of the installation be sure to read the instructions and study the diagrams thoroughly before commencing.
2. All electrical work should only be undertaken after disconnection of the power by removing fuses or turning off the circuit breaker to ensure all pole isolation of the electrical supply. If you are in any doubt the services of a qualified electrician should be sought to ensure that all work is carried out in accordance with the I.E.E. Regulations, current good practice and other national and local electrical codes.
3. Make sure that your installation sits will not allow the rotating fan blades to come into contact with any object and that there is a minimum clearance of 150mm (6") from the blade tip to the wall or ceiling. Please note that the bigger this clearance is the better the air delivery from your fan will be. Ensure the blades are mounted at a minimum height of 2.3 meters (7'6") from the floor when the fan is installed.
4. The fixing point for the fan must be able to support a weight of ten times that of the net weight of the fan. Net weights can be found on the bottom of the unit's box. If you are mounting the fan to a ceiling junction box, the box and it's fixing must be able to support the moving weight of the fan and must not twist or work loose.
5. The fan must be earthed.
6. Do not connect the fan motor to a dimmer switch. This may give an unsatisfactory performance (motor hum) and cause damage to the motor.
7. It is not recommended that ceiling fans and gas appliances are operated in the same room at the same time.
8. The fan will be turned off and stopped completely when the reverse button is pressed, then reversing the fan operating direction. This will prevent any damage to the motor of the unit or remote control circuit.
9. Do not insert anything into the fan blades while the fan is operating. This will damage the blades and upset the balance causing the unit to wobble or confuse the preset control function.
10. After the fan is completely installed make sure that all connections are secure and tight to prevent any problems.
11. Because of the fan's natural movement, some connections may loosen. Check the support connections, brackets and blade attachments twice a year to make sure they are all secure. If they are loose, tighten them with a screwdriver. (It is not necessary to take the fan down from the ceiling.

Note : The important safeguards and instructions given in this manual are not meant to cover all possible conditions and situations that may occur. It must be understood that common sense, caution and care are factors which cannot be built into any product. These factors must be supplied by the persons caring for and using the unit.

For installation advice, or in the unlikely event of damaged or missing parts please ring:

HELPLINE : 01959 564440

E-mail : technical@fantasiaceilingfans.com

Supplied Parts

- One DC motor fan assembly
- One Hanger bracket with terminal blocks for wiring
- One set of blades
- One sets remote control (receiver/driver is pre-assembled onto the fan)
- One screw-pack with balancing kit
- One optical clothe
- One installation booklet.
- One Light fitting
- One LED light bulb module

Tools and Materials Required

- Philips screwdriver
- Blade screwdriver
- Small electrical screwdriver
- Electrical pliers
- Step ladder
- Wiring supplies as required by current electrical practice
- In-line crimps or other suitable connectors if an extension rod in excess of 760mm (30 inch) is to be fitted.

Before starting the assembly and installation of your fan please ensure the safety precautions have been read and understood.

Installation Difficulties, Missing or Damaged Parts

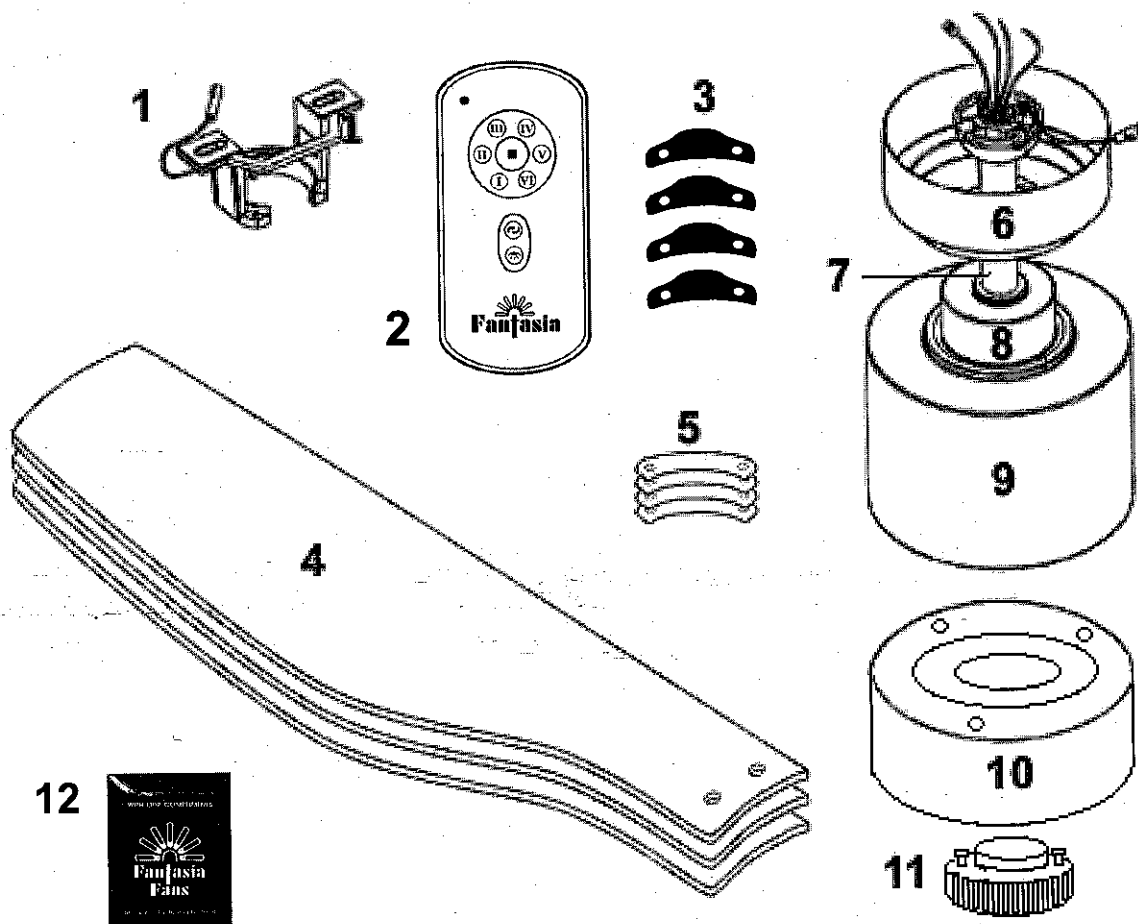
If you have any difficulty in installing your fan/light or if you are unfortunate enough to find that your fan have been dispatched with parts missing or damaged please contact our help-line. We will be very pleased to provide help or forward replacements parts to you immediately.

In any communication with us please quote model reference, colour of the unit and the part missing /damaged.

HELPLINE
01959 564440

E-mail : technical@fantasiaceilingfans.com

Name of Fan Accessories

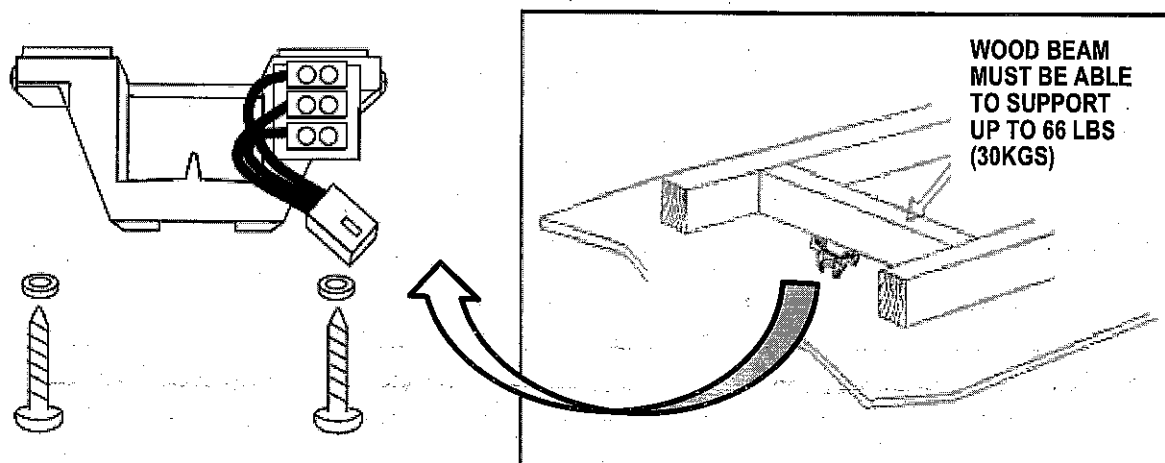


1	Hanger Bracket x 1	9	Fan Assembly x 1
2	Remote Control Transmitter & Wall Holer (not shown) x 1	10	Light Fitting x 1
3	Blade Secure Metal Pads x 4	11	LED Lamp Modules x 1
4	ABS Blades x 4	12	Clean Cloth x 1
5	Blade Setting Cushion Pads x 4	13	Balancing Kit x 1 (not shown)
6	Canopy & Decorative Plate x 1	14	12V Battery x 1 (not shown)
7	Drop Rod x 1	15	Screw Pack x 1 (not shown)
8	Drop Rod Joint Boss Cover x 1		

Installing The Fan

All electrical work should only be undertaken after disconnection of the power by removing fuses or turning off the circuit breaker to ensure all pole isolation of the electrical supply.

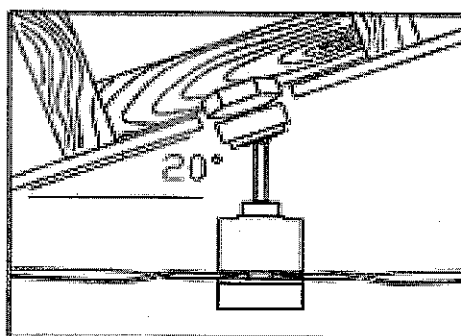
1. Hanger Bracket Installation



The Hanger Bracket should be screwed on to a firm flat surface. The fixing location must be able to withstand ten times the static weight of the fan. If you have doubt about your intended fixing location to be able to withstand this loading, please contact our service help-line or another competent authority to advise you. In most situations two wood screws screwed in to a wooden joist is more than adequate to support your ceiling fan. The hanger bracket should be screwed onto the joist with the wood screws provided. The washers provided should go in the following.

Screw head > Steel round washer > Hanger Bracket > Ceiling Joist.

Screw the hanger bracket to the ceiling and make sure all connections are secure to prevent the fan from falling. Fixings must screw into a joist and not just the plasterboard.



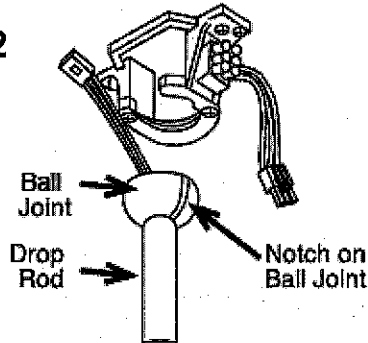
Angled Ceiling Installation

This fan hanging system supports a maximum 20 degree angled ceiling installation.

2. Hanging the fan

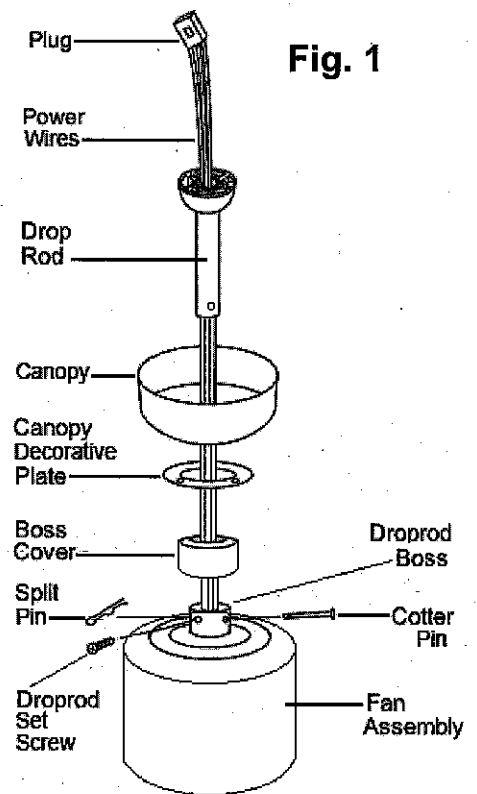
Lift the preassembled Fan Assembly (Fig.1) up and hang it on the Hanger Bracket by carefully seating the Ball Joint into Hanger Bracket.

Fig. 2



Rotate the ball joint around to make sure that the Notch on the ball joint is aligned with the protrusion on the inner edge of the hanger bracket. When aligned, the fan should drop slightly as it assumes it's correct position. This is to prevent rotation of the fan when it is operating. (Fig.2)

Fig. 1



3. Make The Electrical Connection

Safety Precautions before commencing electrical connection -

1. For your safety, all electrical connection must be done by a Licensed Electrician.
2. All electrical work should only be undertaken after disconnection of power by removing fuses or turning off the circuit breaker to ensure all pole isolation of the electrical supply.
3. **This Fan must be earthed. Important.**

Connect the incoming electrical power supply wires to the Terminal Block, following the markings. (Fig.3)

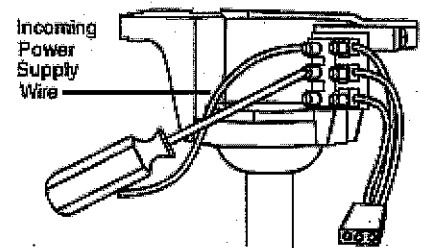
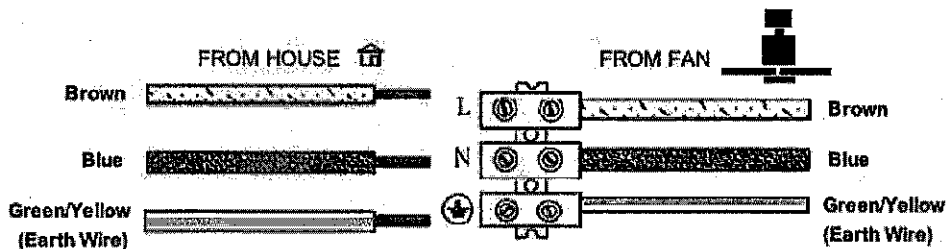


Fig.3



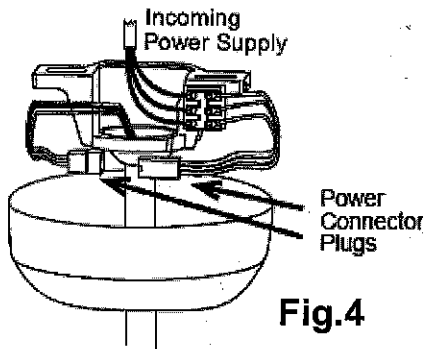


Fig.4

Plug in the ceiling fan –

Once the incoming power supply wires are connected, connect the plugs from the Ceiling Fan into the socket on the Hanger Bracket. Make sure that it is firmly connected (Fig.4)

! Take Care when joining these plugs! Incorrect alignment could result in the plug pins becoming dislodged, and the fan not working.

4. Attaching The Ceiling Canopy

Loosen (but do not remove) the two Canopy Set Screws on the Hanger Bracket.

Slide the canopy up to the Hanger Bracket and align the keyhole to the screws on the Hanger Bracket, turn canopy until it locks in place, secure the Canopy with the Canopy Set Screws.

Finally attach the Canopy Decorative Plate to canopy and secure it by pushing the lugs into the three holes on the Canopy. (Fig.5)

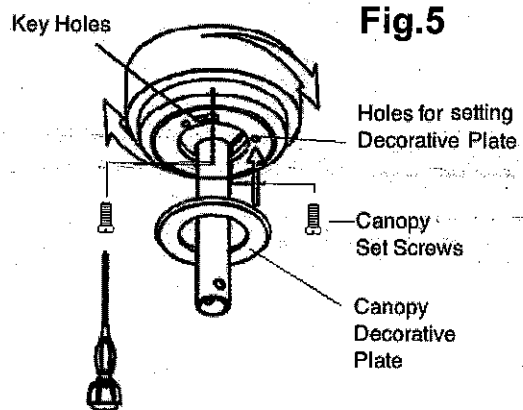


Fig.5

5. Attaching The Blades

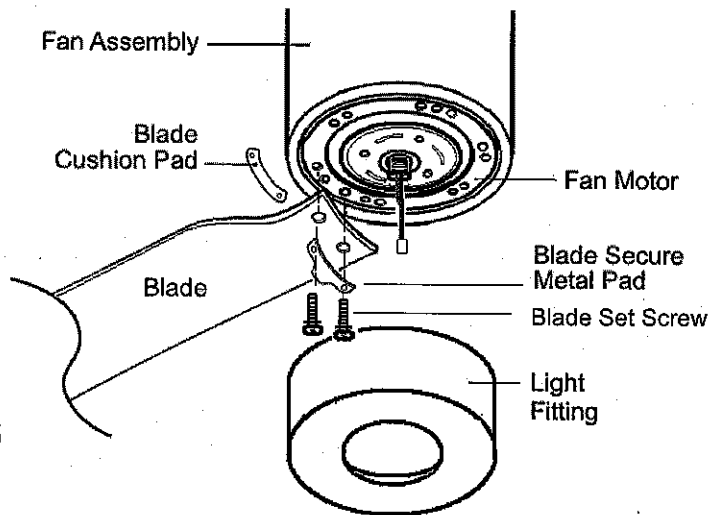


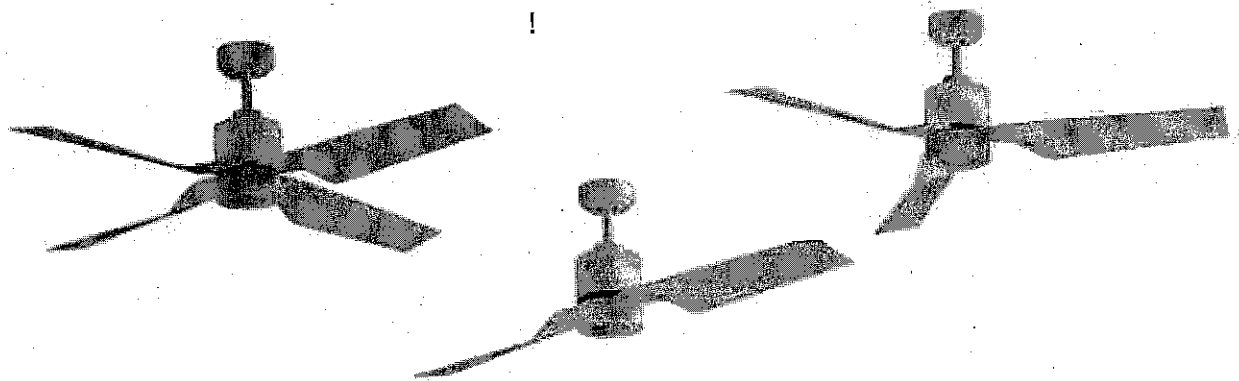
Fig.6

Attach the Blades onto the fan motor directly, secure each blade with the cushion pads and secure metal pads in accordance with the following sequence. (Fig.6)

Blade Set Screw – Blade Secure Metal Pad – Blade – Blade Cushion Pad – Motor.

Tighten firmly using a hand tool and DO NOT over tighten.

SPECIAL BLADE INSTALLATION INSTRUCTIONS



This fan is designed to operate with the 4 blades supplied, but is available with 3 or 2 blades installation. The base of fan motor is configured with 14 holes to allow these three different options.

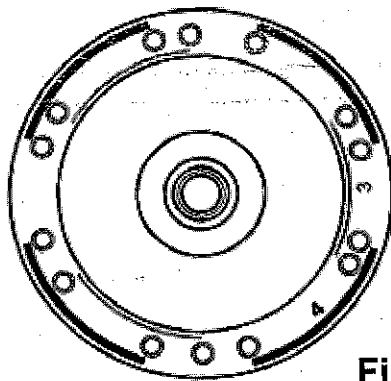


Fig.7!

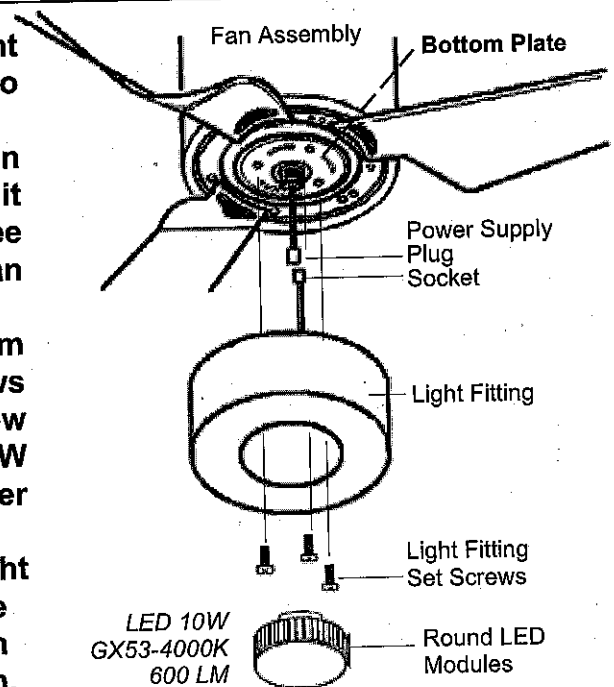
When using 2 or 4 blades –
Choose the holes marked with RED curved lines and NO. 4. (See Fig.7)

When using 3 blades –
Choose the holes marked with GREEN curved lines and No. 3. (See Fig.7)

Ensure all blades are tightened before operating the fan.

6. Attaching The Light Fitting and LED Lamp

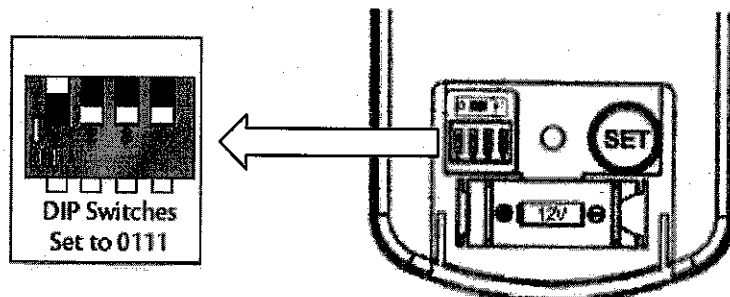
1. Connect the power supply for light with plug from the Fan Assembly into the socket from the Light Fitting.
2. Slide the Light Fitting onto the Fan Assembly (turn anticlockwise) until it sets in place by aligning the three slots on the bottom plate of the Fan Assembly.
3. Secure the Light Fitting to the bottom plate with 3 Light Fitting Set Screws (provided), position of the 3 screw holes are indicated with RED ARROW marking beside the white lamp holder base). Tighten the screws firmly.
4. Insert the LED Modules into the Light Fitting, align the two pins on the LED Modules to the two keyholes on the Lamp Holder, push in and turn.



Remote Control Setting – SINGLE FAN

Pairing the ID Code and Programming the Fan Speed

(Note: Turn off the power supply to the fan before commencing the following steps)



1. Slide to open the cover of battery compartment of transmitter to set a new ID Code. (At the rear side of Transmitter)
2. Change the position of the four DIP SWITCHES up or down (the example set to -up-down-down-down). There are 16 different code combinations
3. Install the 12V Battery (provided) onto the battery seat; make sure the polarity of battery is put correctly. (To check, press any control button of the transmitter, the red LED indicator should shine).
4. Turn on the AC Power to the fan.
5. Within 60 seconds after AC power has turned on, press and hold the round SET button for 5 to 6 seconds, release the holding when seeing the fan starts to turn automatically. (Access the steps of the ID Code pairing and Fan Speed programming now).

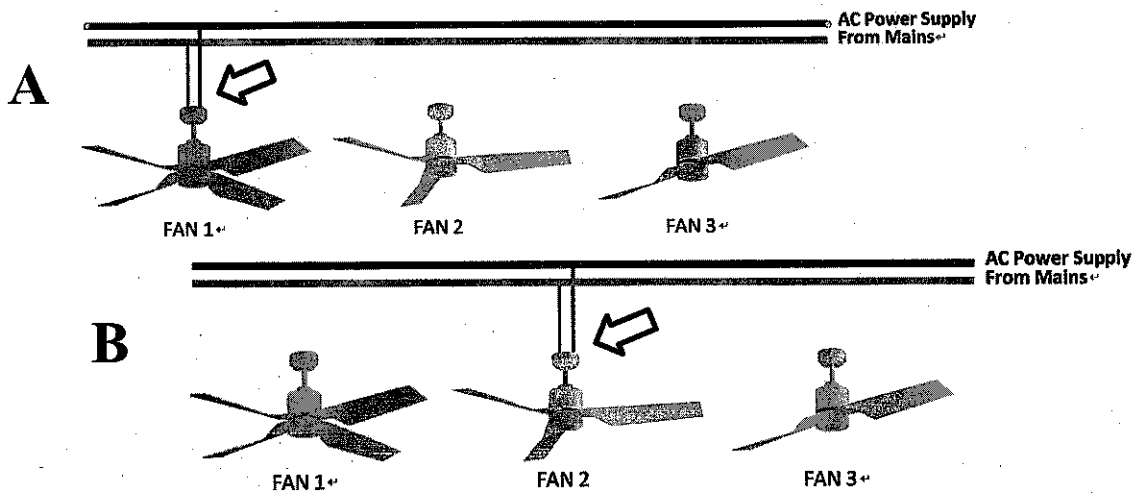
IMPORTANT NOTES:

1. It takes 180 seconds (3 minutes) to complete the pairing and speed programming. (Fan turns with the Highest Speed – Clockwise 90 seconds and then turning Anti-Clockwise 90 seconds). The fan stops automatically as soon as the process is completed.
2. To avoid any interruption to the pairing process, all control function is DISABLED within the 180 seconds pairing & programming process. Please wait patiently.
3. The paired ID Code and Fan Speed are programmed into the memory-chip permanently once the process is completed. Therefore, it is not necessary to proceed with these steps again, unless (1) ID code to be changed and repaired (2) The Fan Blades are changed to different quantities. (Note: Fan will run with improper speeds if it is not reprogrammed).
4. The remote control is ready to operate as soon as the fan stops operation.

Multiple Fans Setting:

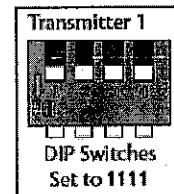
Please refer to next page the separate code pairing setting instructions when more than two fans are installed in very near place, and require one transmitter controls to one fan individually.

Remote Control Setting – MULTIPLE FANS



A. Set Transmitter 1 to control FAN 1 –

Connect power supply wires to FAN 1 only. (See Fig. A)
 Start the ID code pairing setting steps 1-5 as instructed on Page 8.
 Set the ID code to 1111, (See Fig.C)
 Press the fan speed buttons to check if the Transmitter 1 is able to remote control the FAN 1 when the setting is completed.

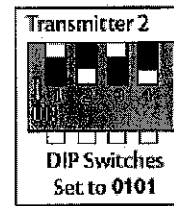


C

B. Set Transmitter 2 to control FAN 2.

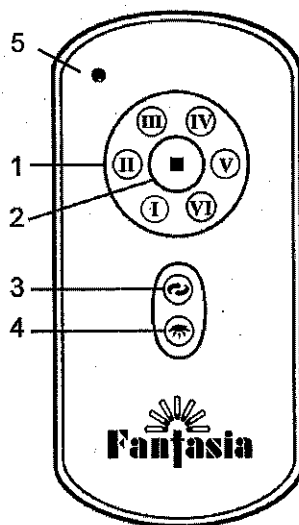
Disconnect power supply wires to FAN 1, connect power supply wires to FAN 2 only. (See Fig.B)

Set a different DIP Switches ID code to 0101 (See Fig.D) then, repeat the aforementioned ID code pairing steps to complete Transmitter 2 setting.



D

Repeat the same pairing steps to set Transmitter 3 to control FAN 3 and so on.



The functions of each push button on transmitter

(1) TURN ON THE FAN

Press any speed control button to turn on the fan operation and control the fan speed from low to high. Button (I) is for the lowest speed, Button (VI) is for the fastest speed.

(2) TURN OFF THE FAN

Press this centre button to turn the fan off.

(3) REVERSE FUNCTION BUTTON

Press this button to activate the fan reverse running function.

(4) LIGHT CONTROL BUTTON

Press and release this button to turn the LED lamp on, press again to turn it off. (NOT DIMMERABLE)

(5) BATTERY POWER LEVEL INDICATOR (red light)

General Operation and Trouble Shooting

The following information has been prepared to assist the installing electrician and the consumer, to obtain the best performance from the Fantasia Ceiling Fan.

Operating the Fan – For the first time

Ensure that all screws are tightened, and electrical connections safe. Make sure that the fan can spin freely, and that the blades are not going come into contact with anything. Make sure that the power is now on, and that there is power coming to the fan. Once this is done, start the fan in High Speed for up to 1 minute then in other speed to settle the fan in.

Ceiling fan motors, like all electric motors, may feel warm or hot to touch when they are operating. This is normal and not a fault.

Trouble Shooting – Part I

1. Difficulty Starting, or Won't Start –

Check all electrical connections (including the wall on/off switch); and ensure that the power supply is supplied to the fan; the pairing steps are done completely.

2. Poor air movement –

Your fan may be running in reverse (Winter mode), check the reverse selection is correct. If the drop rod length has been shortened, there may not be enough distance from the blades to the ceiling. (Please refer to Precaution 3/page 1). Your fan may not be appropriated for the room it is being used in. Fan wall controllers are matched to the specific fan model to achieve best performance. **This fan can only be operated using the provided remote control. Using a wall speed regulator, light dimmer switch or a substituted remote control will not work properly and will void the warranty.**

3. Fan is noisy –

If it is a “mechanical” noise, check that the blade are tight; that the light fitting is secure; that the LED lamp is secure; that all wiring is clear of any moving parts.

Some “electrical” noises can occur in the very quiet early morning. These small noises are often caused by changing speed; while the DC motor driver sensing and regulating the magnetic force. These noises occur only during the few seconds speed change, are often unavoidable and are not covered under warranty.

Do not connect any light diming switch to the fan, this can occur the fan operates very noisily and will damage the DC motor driver/receiver and will void the warranty.

4. Fan wobbles or vibrates –

As ceiling fan spin they do tend to vibrate, particularly at high speed. They are designed with flexible “ball joints” to allow for some movement. If your fan wobbles or vibrates excessively it may be due to blades are loosen or with unbalanced blades set. Always ensure that all blades are firmly fixed to the fan motor with all screws and bolts tightened. Never mix blade between fans, especially when there are more than two fans are installed at the same time.

Trouble Shooting – Part II

Fan wobbles or vibrates – If required, each fan is supplied with a Blade Balancing Kit – with simple to follow instructions should be able to cure the wobbles. Fans with extension drop rods may tend to wobble more than when used with their standard drop rod. It is important to balance a wobbling fan as soon as possible to avoid longer-term damage. The fan balancing is not covered under warranty.

Remote Control not working –

If the remote is not functioning, firstly check that the battery in the transmitter is fresh, and not flat; have your electrician confirm that power supply is coming to the fan and that all connections have been made. Check that the remote has been properly “PAIRED” with the fan (refer the detailed instruction in this booklet)

Maintenance -

To keep your ceiling fan looking good and working properly, regular dusting and cleaning (with the provided cleaning cloth) is essential. A build-up of dust and dirt looks ugly and it will reduce the performance of your fan. Over time your fan may need re-balancing. FANTASIA and its distributors can assist you in obtaining spare parts where they are available.

Tips from Fantasia

If you have a false ceiling, connect the hanger bracket onto the main structure and use an extension rod to lower the fan below the false ceiling. (Remember to allow adequate clearance for the rotating blades – see Safety Precaution 3).

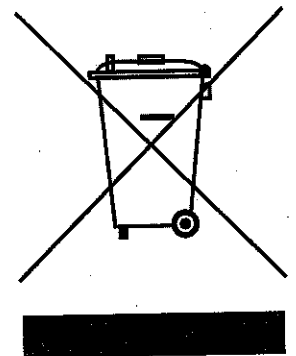
The hanger bracket can be mounted onto a surface up to 20°. The fan will have to be installed in the drop rod style of mounting for this (Remember to allow adequate clearance for the rotating blades – see Safety Precaution 3). Do not forget to put the canopy on the rod before connecting the rod onto the fan.

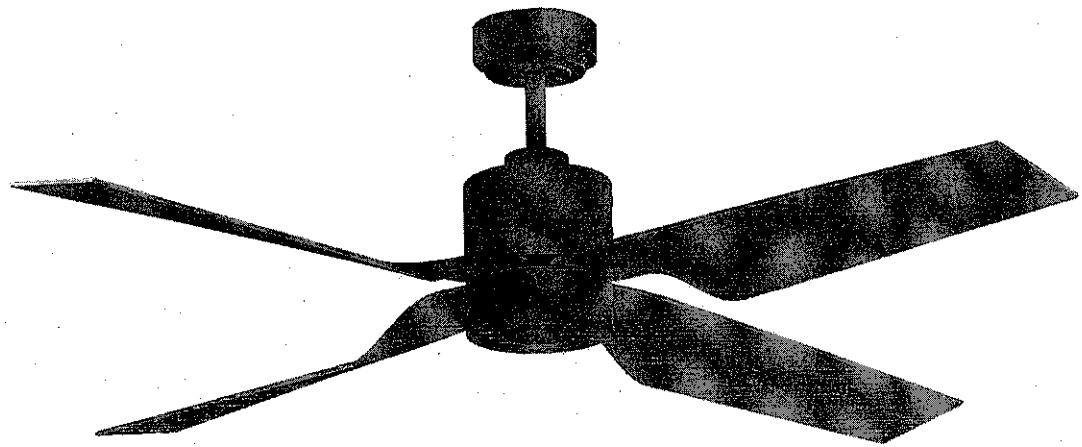
If you are installing more than one fan make sure that you do not mix the fan blade sets.

Product Disposal Instructions

This product has been classed as Electrical or Electronic Equipment and should not be disposed of with other household or commercial waste at the end of its working life.

The Waste of Electrical and Electronic Equipment (WEEE) Directive (2002/96/EC) has been put in place to recycle products using best available precise and minimize the impact upon the environment.





132 CM (52")

TAU FAN

FANTASIA DISTRIBUTION LTD.

Unit B. The Flyers Way, Westerham, Kent, TN16 1DE

Tel : (01959) 564 440 Fax : (01959) 564 829

E-MAIL: info@fantasiaceilingfans.com